

*NAVIGATING A SEA OF RESOURCES*

**Title:** Ithaca Directory 1909  
**Author:**  
**Call no.** LH-CASE 974.7 Ithaca 1909

---

**Owner:** Ithaca - Tompkins County Public Library  
**Assigned Branch:** Ithaca - Tompkins County Public Library (TCPL)  
**Collection:** Local History (LH)

---

**Material type:** Book  
**Number of pages:** 413

We wish to thank The History Center in Tompkins County for access to select Ithaca City Directory years in their collection for digitization



LH-REF  
974.7 1909  
Ithaca city directory.

LHREF 974.7 Ithaca 1909  
Ithaca directory.  
Manning, US West Marketing



## For Reference

**Not to be taken from this room**

TOMPKINS COUNTY PUBLIC LIBRARY  
312 NORTH CAYUGA STREET  
ITHACA, NEW YORK 14850







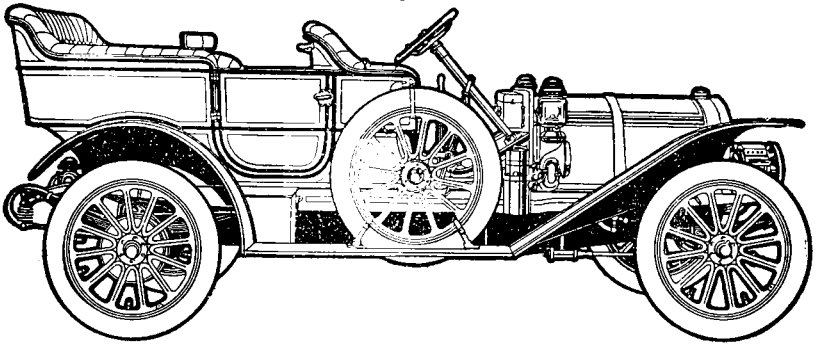
# Frank C. Edminster

Consulting Automobile Engineer

512 Stewart Avenue

---

Inspection of Cars, Designs,  
Tests, Reports, Etc.



Garage - Supplies - Livery

---

*Factory Representative for*

**Rambler**

*Automobiles*

---

## The Cornell Automobile Tours

Select parties, personally conducted, arranged anywhere in this country or abroad. All details regarding shipment of cars, duties, passports, hotels, garages, licenses, etc., fully specified



# The Cornell Transfer Co.

(Lessees of Union Transfer Co.)

---

**Storage Warehouse  
and Boarding Stables**

**General Carting and Baggage**

---

Main Office; 121 South Tioga St.,

Both Phones.

ITHACA, N. Y.,

---

**FRED J. HAUSNER**

**JEWELER AND ENGRAVER**

---

- 205 EAST STATE STREET -

**DIAMONDS AND WATCHES**  
FINE WATCH REPAIRING A SPECIALTY

---

**HOWARD L. O'DANIEL**

Sells, Rents, Buys, Repairs and Exchanges  
**TYPEWRITERS OF ALL MAKES**

**THE OLIVER TYPEWRITER**

Ribbons and Supplies for all Typewriters  
**EVERYTHING FOR THE OFFICE**

Ithaca Phone 11  
Bell Phone 604

**205 E. State St., Ithaca, N. Y.**

**ITHACA CONTRACTING CO.**  
GENERAL CONTRACTORS

---

DEALERS IN

**Builders' and Masons' Supplies**

**Planing, Matching, Etc.**

---

OFFICE, 417 SOUTH PLAIN ST.

Bell Phone 686.

Ithaca Phone 603

---

Bell Phone 154

Ithaca Phone 238

**F. D. GILBERT**  
**FUNERAL DIRECTOR**

122 E. Seneca St.

ITHACA, N. Y.

---

**C. G. MORGAN**

— WHOLESALE —

**FRUITS AND VEGETABLES**

Special attention given to orders by telephone.

Both Phones.

227 Elm St., Ithaca, N. Y.

M. P. GOODHUE

ELMIRA, N. Y.

Publisher—

Cortland, Homer and McGrawville, N. Y., Directory.

Ithaca, N. Y., Directory (in association with E. D. Norton).

Corning, N. Y., Directory.

Fulton, N. Y., Directory.

Waverly, N. Y., and Athens-Sayre, Pa., Directory.

---

Bell Phone 483

Ithaca Phone 423-x

A. K. DEAN

VETERINARY SURGEON

335-341 EAST STATE ST.

---

**METROPOLITAN LIVERY**

H. W. DEAN, Proprietor.

First-Class Livery, Hack

Boarding and Sale Stable

PARTICULAR ATTENTION PAID TO  
PARTY ORDERS

Good Four-in-Hand Rigs with the Best of Drivers

---

Both Phones.

335-341 East State St.

# ISAAC COAN

Largest Dealer in Tompkins County

Old Metals - Old Rubber

Old Rope - Woolen Rags

Cotton Rags - Old Bottles

❁ ❁ Paper Stock ❁ ❁

---

---

Second-Hand Pipe of all Sizes on Hand

---

---

Grading and Bailing Room  
Rear 623-625 W. State St.

For further information call or address

**623-625 West State St.,**

**Bell Phone 339-B  
Ithaca Phone 82-X**

**Ithaca, N. Y.**

# PORTRAITS *and* PHOTOGRAPHS

---

WE are members of both the National and State Photographers' Association, and attend their meetings regularly. In this way we keep in touch with the best men in our profession, and all the latest and most up-to-date styles, etc.

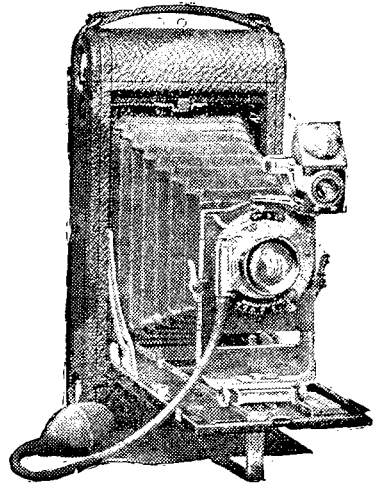
Our latest Sepia Platinums and Carbons must be seen to be appreciated. All sizes made to your order.

We solicit a share of your patronage in groups. We have the very best of apparatus and lenses for this work, also flash-light work; interiors of your rooms, etc. We go anywhere on short notice and guarantee satisfaction.

---

VanBuren  
**PHOTOGRAPHER**

Both Phones  
115-117 E. State St.



We carry in stock a full line of

## Kodaks and Cameras

For Sale, Rent, or Exchange. Also a fresh line at all times of supplies, such as **Films, Plates, Film Packs, Velex, etc.**

Among our New Cameras and Kodaks are 5x7 and 4x5 Film and Plate and all smaller sizes in Film including the popular 3 A size.

---

*Developing and Printing rushed if necessary.*

NORTON & GOODHUE'S  
Ithaca City Directory

FOR

1909

Containing a General Directory of the Citizens of Ithaca,  
a Classified Business Directory, a House Directory  
and a new City Map; City, County, State  
and United States Governments;  
Schools, Societies, Etc.

PRICE, \$3.00  
FOR SALE BY NORTON PRINTING COMPANY,  
317 EAST STATE STREET.

M. P. GOODHUE, Compiler.

[Entered according to Act of Congress in the office of the Librarian of Congress at Washington, D. C., in the year 1909, by M. P. GOODHUE.]

**TABLE OF CONTENTS**

	Page
Abbreviations.....	44
Alphabetical Directory.....	44
Banks and Savings Banks.....	26
Business Directory.....	373
Churches and Church Societies.....	28
Church Publications.....	28
City Government.....	17
City Wards.....	9
College Publications.....	27
Cornell Library.....	32
Election Districts.....	14
Express Companies.....	26
Fire Department.....	19
Ithaca Bar.....	22
Ithaca House Directory.....	313
Justices of the Supreme Court.....	21
Local U S Officers.....	24
Map of the City of Ithaca.....	Inside of back cover
Newspapers, etc.....	27
New York State Government.....	13
Notaries Public in Ithaca.....	23
Police Department.....	19
Post Office.....	24
Post Offices in County.....	25
Public Places, Buildings, etc.....	10
Public Schools.....	33
Railroads.....	28
Societies.....	39
Street Directory.....	313
Supervisors in Tompkins County.....	17
Terms of Court.....	21
Tompkins County Bar.....	22
Tompkins County Officers.....	16
Telegraph and Telephone Companies.....	27
Town Clerks in Tompkins County.....	17
United States Government.....	12

1909

ALPHABETICAL INDEX TO ADVERTISERS.

Adams Arthur G.....	Side lines
Adsitt Mary A.....	310
Alpert & Blostein.....	47
Atkinson & Mitchell.....	50
Barton George A.....	57
Baxter & Burris.....	Top lines
Beach & Hutchinson.....	58
Berna George.....	61
Bool Floral Co.....	Top lines
Bool J H Co.....	Top lines
Bovier Oscar F.....	Bottom lines
Bryan W H.....	252
Coan Isaac.....	Side lines and front colored page
Cornell Livery.....	96
Cornell Transfer Co.....	Front colored page
Cummings & Martin.....	Bottom lines
Dean A K.....	8 and 43
Dean H W.....	8 and 43
Dixon & Robinson.....	Front stencil and 110
Donohue Peter M.....	Side lines
Driscoll Bros & Co.....	Center lines
Edminster F C.....	3
Fall Creek Coal Yard.....	204
Forest City Printing Co.....	126
First National Bank.....	Back cover
Forest City Steam Laundry.....	125
Freeman C W.....	Front cover
Georgia & Southworth.....	Side lines
Gilbert F D.....	Front colored page
Griffin George.....	Back cover
Hausner Fred S.....	Front colored page
Home Life Insurance Co.....	Top lines and 270
Hygeia Ice Co of Ithaca.....	61
Ithaca Automobile Co.....	Side lines and 162
Ithaca Daily News.....	126
Ithaca Chronicle and Democrat.....	50
Ithaca Contracting Co.....	Front colored page
Ithaca Fuel Supply Co.....	Bottom lines and 164
Ithaca Hand Laundry.....	195
Ithaca Journal.....	166
Ithaca Junk Co.....	47
Ithaca Realty Co.....	Front cover
Ithaca Savings Bank.....	165
Ithaca Steam Marble and Granite Works.....	Back cover



## ITHACA CITY DIRECTORY

Ithaca Telephone Co.....	Side lines
Ithaca Trust Co.....	Front cover
Jamieson-McKinney Co.....	End stencil
Jenks William L.....	Bottom lines
Johnson Ulysses S.....	Back cover
Kellogg William T.....	Side lines
Kerr W O.....	176
Klenke & Drew.....	178
Kluebert Max.....	179
Kohm & Brunne.....	Bottom lines
LaBarr Isaac.....	Bottom lines
Lang J B Engine and Garage Co The.....	Inside front cover
Leary Coal Co.....	Side lines
Lent B Frank.....	185
Lewis F D.....	187
Lynch James.....	191
Manning Clyde Mrs.....	195
Marsh Daniel E.....	Back cover
McClune Fred A.....	202
McCormick Walter J.....	Side lines and 162
McGuire John J.....	202
McRavy & Murray.....	204
Merrill Eliza M.....	125
Modern Method Laundry.....	211
Mone Edward J.....	Front cover
Morgan C G.....	Front colored page
Morse Virgil D.....	Back cover
Norton Harry W.....	11
Norwood W S.....	Back cover
O'Daniel H L.....	Front colored page
Patterson Lincoln E.....	Center lines
Peirce Coal Co.....	Top and center lines
Phillips Frederick W.....	Front cover
Preston E S.....	Center lines
Priest & Benjamin.....	166
Pritchard & Son.....	234
Reamer John.....	211
Reed F George.....	Side lines
Rohrer J L.....	Side lines
Rothschild Bros & Co.....	Back cover
Sayre Edward P.....	96
Seaman Charles A Livery.....	252
Smith Charles A.....	262
Smith William Hazlitt.....	Front cover
Snow E G.....	Bottom lines
Stanion Charles B.....	Front cover
Stevens & Morgan.....	Top lines and 270
Stillwell Ira N.....	271
Storms John B.....	Back cover
Tarbell George S.....	Back bone and 277
Tichenor George E.....	281
Tompkins Co. Co-operative Fire Insurance Co.....	Center lines
Tompkins Co. National Bank.....	Front cover
Trench Coal Yard.....	200
Tyler & Cornell.....	Front colored page
VanBuren Charles B.....	Front colored page
Williams City Transfer The.....	303
Wyckoff E G Co.....	310

Subscribe for the Ithaca Telephone in Your Home. Only 4 <sup>1</sup>/<sub>9</sub> c. per day.

For Best Prices on Old Metals, Old Rubber, Old Rope, Woolen Rags, Cotton Rags, Paper Stock, Old Bottles, etc., write Isaac Coan 623 W. State St., Ithaca, N. Y. Both Phones.

## CITY OF ITHACA

### CITY WARDS

**FIRST WARD**—All that part of said city bounded on the east by a line commencing in the north line of said city in the center of the Cayuga inlet, thence running up the center of said inlet to the center of Fifth street; southerly along the center of Fifth street to the center of Cascadilla street; east along the center of Cascadilla street to the center line of Park place; south along the center of Park place to the center line of Buffalo street; west along the center of Buffalo street to the center line of Corn street, and south along the center line of Corn street, extended, to the south line of the city.

**SECOND WARD**—That part of said city bounded by the south line of the city, the center line of Aurora street to the center line of Buffalo street, the center line of Buffalo street to the center of Tioga street, the center line of Tioga street to the center of State street, the center line of State street to the center of Corn street, and the center line of Corn street, extended, to the south line of the city.

**THIRD WARD**—That part of said city bounded by the center line of State street, the center line of Tioga street to the center of Mill street, the center line of Mill street to the center of Cayuga street, the center line of Cayuga street to the center line of Cascadilla creek, the center line of Cascadilla creek and Lake avenue extended to the north line of the city; by said north line to the center of Cayuga inlet, the center line of Cayuga inlet to the center of Fifth street, the center line of Fifth street to the center of Cascadilla street, the center line of Cascadilla street to the center of Park place, the center line of Park place to the center of Buffalo street, the center line of Buffalo street to the center of Corn street, and the center line of Corn street to the center of State street.

**FOURTH WARD**—That part of said city bounded by the south and east lines of the city, the center line of University avenue to the center of Cascadilla creek and Linn street, the center line of Cascadilla creek to the center of Tioga street,

CONCRETE BRICKS, SILLS, LINTELS, WATER TABLES, DRAIN TILING, ETC.  
The O. F. Bovier Concrete Works, 538-540 W. State St. Telephone.

the center line of Tioga street to the center of Buffalo street, the center line of Buffalo street to the center of Aurora street and the center line of Aurora street to the south line of the city.

FIFTH WARD—That part of said city bounded by the east line of the city from the center of University avenue north, the north line of the city as far west as the center of Lake avenue extended from Cascadilla creek, the center line of said extension and the center line of Cascadilla creek as far south-erly as the center of Cayuga street, the center line of Cayuga street to the center of Mill street, the center line of Mill street to the center of Tioga street, the center line of Tioga street to the center of Cascadilla creek, the center line of Cascadilla creek to the center of Linn street and University avenue, and the center line of University avenue to the east line of the city.

**Public Places, Buildings, Halls, Etc.**

- Arcanum Hall, 156 E. State.
- Bates Block, cor. N. Aurora and Seneca.
- Cascadilla Place, Eddy and Dryden road.
- Cemetery, University Ave.
- City Hall, cor. N. Tioga and Seneca.
- City Hospital, N. Aurora near Farm.
- Clinton Hall, N. Cayuga, near State.
- Conservatory of Music, 155-159 E. State.
- County Clerk's Building, N. Tioga near State.
- County Court House, E. Mill, DeWitt Park.
- Cornell Free Reading Room, cor. E. Seneca and Tioga.
- Cornell Library Building, cor. E. Seneca and Tioga.
- Cornell University, East Hill.
- Deming Hall, E. State bet Cayuga and Tioga.
- DeWitt Park, Cayuga, Buffalo and Mill.
- Electric Light Station, E. State.
- Fair Grounds, intersection Titus Ave. at Clinton and Meadow.
- G. A. R. Hall, Cornell Library Building, E. Seneca.
- Hoysradt Block, W. State near Cayuga.
- Ithaca Gorge, entrance at Fall Creek from Lake street.
- Jamieson & McKinney Bldg., 115, 117, 119 S. Cayuga.
- Journal Block, W. State bet Cayuga and Geneva.

**THE ITHACA FUEL SUPPLY CO.**

ARE BEST EQUIPPED TO FURNISH THE BEST OF ANY KIND OF FUEL

**Automobiles** SOLD, STORED AND REPAIRED **at F. A. McClune's, 206 S. Cayuga St.**

**The B & B Clothing Store, Baxter & Burris, 150 E. State St.**

ITHACA CITY DIRECTORY

11

Knights of Columbus Hall, 111 N. Tioga.  
Library Hall, Cornell Library Bldg., cor. N Tioga and Seneca.  
Livingston Building, 318 E. Seneca.  
Lyceum Block, S Cayuga bet State and Green.  
Lyceum Opera House, S Cayuga near Green.  
Masonic Hall, Savings Bank Building, N Tioga.  
Morrison Block, cor. E. State and Tioga.  
Music Hall, Rothschild Block, cor. E. State and Tioga.  
Odd Fellows Temple, N. Cayuga near Mill.  
Osborn Block, E. State near Aurora.  
Post Office, cor. N. Tioga and Buffalo.  
Police Station, cor. N. Tioga and Seneca.  
Red Men's Hall, cor. W. State and Cayuga.  
Reed Building, N. Aurora cor. Buffalo.  
Rothschild Block, cor. E. State and Tioga.  
Rumsey Block, N. Tioga near State.  
Sage Block, State bet. Tioga and Cayuga.  
Savings Bank Building, cor. N. Tioga and Seneca.  
Sprague Building, 147-151 E. State.  
The Home, cor. S. Aurora and Mechanic.  
Tompkins County Jail, E. Mill bet Cayuga and Tioga.  
Tremen Block, cor. S. Cayuga and State.  
Trust Company Building, Tioga bet. State and Seneca.  
Washington Park, Washington, Buffalo, Park Place and Mill.



*F. George Reed's University Book Bindery, 118 to 124 S. Tioga St.*

**Special Hand-Made Furniture,**

**E. G. SNOW**  
109 S. Titus Ave.

**LEARY COAL CO.** Dealers in Scranton Steam and Smithing Coal, Hard and Soft Wood.  
OFFICE 628 WEST SENECA ST.

Home Life Ins. Co. Guarantees to Pay Dividends Annually, or you may Leave them to accumulate. STEVENS & MORGAN, Gen'l Agts.

12

ITHACA CITY DIRECTORY

## MISCELLANEOUS DIRECTORY

### 1909

#### UNITED STATES GOVERNMENT,

The 31st presidential term of four years commenced on the 4th day of March, 1909, and will expire at noon on the 4th day of March, 1913.

##### EXECUTIVE.

President—William H. Taft, of Ohio. Salary \$50,000.

Vice-President—James S. Sherman, of New York. Salary, \$12,000.

##### THE CABINET.

The salaries of the Cabinet officers are \$12,000 each.

Secretary of State—Philander C. Knox, of Pennsylvania.

Secretary of Treasury—Franklin MacVeagh, of Illinois.

Secretary of War—Jacob McG. Dickinson, of Tennessee.

Attorney-General—George W. Wickersham, of New York.

Postmaster-General—Frank H. Hitchcock, of Massachusetts.

Secretary of Navy—George von L. Meyer, of Massachusetts.

Secretary of Interior—Richard A. Ballinger, of Washington.

Secretary of Agriculture—James Wilson, of Iowa.

Secretary of Commerce and Labor—Charles Nagel, of Missouri.

##### UNITED STATES CONGRESS.

Sixty-first Congress began March 4, 1909, and ends March 4, 1911.

Salary of Senators and Representatives, \$7,500 per year and mileage, twenty cents per mile.

##### SUPREME COURT OF THE UNITED STATES.

Chief Justice—Melville W. Fuller, of Illinois. Salary, \$13,000.

Associate Justices—Oliver Wendell Holmes, Massachusetts; William R. Day, Ohio; Edward D. White, Louisiana; Rufus W. Peckham, New York; John M. Harlan, Kentucky; David

**W. L. JENKS** Will give Prompt Attention to All Orders.  
306 WEST SENECA ST.

FIRE INSURANCE PROTECTS }  
YOUR HOME AND PROPERTY. }  
**ARTHUR G. ADAMS, Agent.** }  
SUCCESSOR TO A. B. WOOD. }  
RELIABLE COMPANIES. }  
PROMPT PAYMENTS. }

**H. J. BOOL GO., Furniture Makers, Factory at Forest Home**

J. Brewer, Kansas; Joseph McKenna, California; William H. Moody, Massachusetts. Salary of Associate Justices, \$12,500.

Reporter—Charles H. Butler, New York.  
Clerk—James H. McKenney, D. C.  
Marshal—John M. Wright, Kentucky.

**NEW YORK STATE GOVERNMENT.**

Governor—Charles E. Hughes, of New York. Salary, \$10,000.

Lieutenant-Governor—Horace White, of Syracuse. Salary \$5,000.

Secretary of State—Samuel S. Koenig, of New York. Salary \$5,000.

Comptroller—Charles H. Gaus, of Albany. Salary \$6,000.

Treasurer—Thomas B. Dunn, of Rochester. Salary \$5,000.

Attorney-General—Edward Richard O'Malley, of Buffalo. Salary \$5,000.

State Engineer and Surveyor—Frank M. Williams, of Oneida. Salary \$5,000.

Superintendent of Banking Department—Clark Williams, of New York. Salary \$7,000.

Superintendent of Insurance—William H. Hotchkiss, of Albany.

Commissioner of Education—Andrew S. Draper, of Albany. Salary \$7,500.

Superintendent of State Prisons—Cornelius V. Collins, of Troy. Salary \$6,000.

Superintendent of Public Works—Frederick C. Stevens, of Attica. Salary \$6,000.

Canal Board—Lieutenant-Governor, Secretary of State, Comptroller, State Treasurer, Attorney-General, State Engineer and Superintendent of Public Works.

Civil Service Commissioners—Roscoe C. E. Brown, Charles F. Milliken, John E. Kraft. Salary \$3,000.

Public Service Commissioners, First District—William R. Willcox, William McCarroll, Edward M. Bassett, Milo Roy Maltbie, John E. Eustis; Second District—Frank W. Stevens, Thomas Mott Osborne, Charles Hollam Keep, James E. Sague, Martin S. Decker.

The legislative powers of the State are vested in the State Legislature, which consists of two houses, Senate and Assembly.

Choice Limburger, Sweitzer and Full Cream Cheese at **Isaac LaBarr's** 501 NORTH TIOGA ST.

**Ithaca Telephone Co.**

**The Largest List of Subscribers in Tompkins County.**

If you have any Iron, Metal, Rubber, Rags or Paper, Drop a Postal to **ISAAC COAN** And he will Call for same. 623 W. State St. Both Phones.

The State is divided into 51 Senatorial districts, each choosing one Senator.

The Assembly consists of 150 members.

Senators and Assemblymen receive a compensation of \$1,500 per annum and mileage.

Senators in Congress—Chauncey M. Depew, of New York; Elihu Root, of New York.

Representative in Congress, Thirtieth District—John W. Dwight, Dryden.

State Senator, Forty-first District—Benn Conger, Groton.

Member of Assembly—William R. Gunderman, Ithaca.

CITY OF ITHACA ELECTION DISTRICTS.

FIRST WARD, FIRST DISTRICT.

Beginning on the east at the intersection of the south corporation line and the Cayuga Inlet, running thence in a northerly direction along the Cayuga Inlet to West Mill street, thence along Mill street to Park Place, thence along Park Place to Cascadilla street, thence along Cascadilla street to Fifth street, thence along Fifth street extended to the intersection of the Cayuga Inlet, thence northerly along the Cayuga Inlet to the north corporation line, thence westerly along the north corporation line to the west corporation line, thence southerly along the west corporation line to the south Corporation line, thence easterly on the south corporation line to the place of beginning.

FIRST WARD, SECOND DISTRICT.

Beginning on the east at the intersection of the south corporation line and the center of Corn street, running thence northerly on Corn street to Buffalo street, thence on Buffalo street to Park Place, thence on Park Place to Mill street, thence on Mill street to the Cayuga Inlet, thence southerly along the Cayuga Inlet to the south corporation line, thence easterly on the south corporation line to the place of beginning.

SECOND WARD, FIRST DISTRICT.

Beginning on the east at the intersection of the south corporation line and the center of Albany street, running thence southerly to Spencer street, thence on Spencer street to Geneva street, thence on Geneva street to State street, thence on State street to Corn street, thence on Corn street to the

It is not possible for any but Thoroughly Screened Coal to leave the yards of the Ithaca Fuel Supply Co.

Padded Sides, Curtain Covers, Morocco, Sheep and Cloth Bindings at F. GEORGE REED'S.

W. T. Kellogg, JEWELER AND OPTOMETRIST, 522 W. State St.

south corporation line, thence easterly on the south corporation line to the place of beginning.

SECOND WARD, SECOND DISTRICT.

Beginning on the east at the intersection of the south corporation line and the center of Aurora street, running thence northerly on Aurora street to Buffalo street, thence on Buffalo street to Tioga street, thence on Tioga street to State street, thence on State street to Geneva street, thence on Geneva street to Spencer street, thence on Spencer street to Albany street, thence southerly to the south corporation line, thence easterly on the south corporation line to the place of beginning.

THIRD WARD, FIRST DISTRICT.

Beginning on the east at the intersection of State and Tioga streets, running thence on Tioga street to Mill street, thence on Mill street to Park Place, thence on Park Place to Buffalo street, thence on Buffalo street to Corn street, thence on Corn street to State street, thence easterly on State street to the place of beginning.

THIRD WARD, SECOND DISTRICT.

Beginning on the east at the intersection of Mill street and Cayuga street, running thence on Cayuga street to Cascadilla creek, thence along Cascadilla creek and the Willow Avenue extension northwesterly to the north corporation line, thence westerly on the north corporation line to the Cayuga Inlet, thence southerly along the Cayuga Inlet to the intersection of Fifth street, thence along Fifth street to Cascadilla street, thence along Cascadilla street to Park Place, thence along Park Place to Mill street, thence easterly on Mill street to the place of beginning.

FOURTH WARD, FIRST DISTRICT.

Beginning on the east at the intersection of Mitchell street and the east corporation line, running thence westerly along Mitchell street to State street, thence on State street to Eddy street, thence on Eddy street to Seneca street, thence on Seneca street to Spring street, thence on Spring street to Buffalo street, thence on Buffalo street to McClune Terrace, thence on McClune Terrace northerly to Linn street, thence on Linn street northerly to the center of Cascadilla creek, thence along the center of Cascadilla creek to Tioga street, thence on Tioga street to Buffalo street, thence on Buffalo street to Aurora



ITHACA PHONE  
431-Y

All kinds of Concrete Work neatly and promptly done. **J. L. ROHRER,**

street, thence southerly along Aurora street to the south corporation line, thence easterly on the south corporation line to the east corporation line, thence northerly on the east corporation line to the place of beginning.

FOURTH WARD, SECOND DISTRICT.

Beginning on the east at the intersection of Mitchell street and the east corporation line, running thence westerly along Mitchell street to State street, thence on State street to Eddy street, thence on Eddy street to Seneca street, thence on Seneca street to Spring street, thence on Spring street to Buffalo street, thence on Buffalo street to McClune Terrace, thence on McClune Terrace to Linn street, thence on Linn street to University Avenue, thence on University Avenue northerly and easterly to the east corporation line, thence southerly on the east corporation line to the place of beginning.

FIFTH WARD, FIRST DISTRICT.

Beginning on the east at the intersection of Tioga street and Mill street, running thence westerly on Mill street to Cayuga street, thence on Cayuga street to the center of Cascadilla creek, thence along Cascadilla creek and the Willow Avenue extension northwesterly to the north corporation line, thence easterly on the north corporation line to the intersection of Tioga street, thence southerly on Tioga street to the place of beginning.

FIFTH WARD, SECOND DISTRICT.

Beginning on the east at the intersection of the east corporation line and University Avenue, running thence westerly and southerly on University Avenue to the center of Cascadilla creek, running thence westerly along the center of Cascadilla creek to Tioga street, thence northerly on Tioga street to the north corporation line, thence easterly on the north corporation line to the east corporation line, thence southerly on the east corporation line to the place of beginning.

TOMPKINS COUNTY OFFICERS.

- County Judge and Surrogate—Charles H. Blood.
- Surrogate's Clerk—D. M. Gillespie.
- Court Stenographer—Zaidee H. Stone.
- Special County Judge—S. Edwin Banks.
- County Clerk—Albert H. Overacker.

**Kohm & Brunne,** { Successors to B. F. McCormick, } **Merchant Tailors.**

REAL ESTATE.  
RENTS COLLECTED. } **ARTHUR G. ADAMS, 4 Bates Block, Ithaca, N. Y.** { NOTARY PUBLIC.  
COLLECTION AGENCY.

Your Friends have an ITHACA TELEPHONE, why not You?

Deputy Clerk—A. E. Ball.  
Special Deputy Clerk—William H. Baker.  
County Treasurer—Rodney G. Robinson.  
District Attorney—Willard M. Kent.  
Sheriff—J. Gordon Wortman.  
Under Sheriff—E. D. Masters.  
Coroner—Wilber G. Fish.  
Superintendents of Poor—William P. Harrington, Walter Mekeel, William D. Baldwin.  
United States Commissioner—Edward H. Bostwick.  
Loan Commissioner—James Dick.  
School Commissioners—Hattie K. Buck, Fred A. Beardsley.

SUPERVISORS FOR 1909.

Caroline—William C. Gallagher, Slaterville Springs.  
Danby—Frank A. Todd, West Danby.  
Dryden—R. F. Chappuis, Dryden.  
Enfield—Wheeler H. Smith, Newfield.  
Groton—John W. Jones, Groton.  
Ithaca Town—John W. Preswick, Ithaca.  
Ithaca City—First Ward, William H. Parker, Ithaca.  
Second Ward, L. E. Patterson, Ithaca.  
Third Ward, Charles H. Beach, Ithaca.  
Fourth Ward, Frank B. Davis, Ithaca.  
Fifth Ward, Charles H. Mackey, Ithaca.  
Lansing—Orlando White, Ludlowville.  
Newfield—B. F. McAllister, Newfield.  
Ulysses—Frank B. Aiken, Trumansburg.

TOWN CLERKS OF TOMPKINS COUNTY.

Caroline—Judson C. Bennett, Brookton.  
Danby—R. B. Meaker, Ithaca.  
Dryden—F. E. Darling, Freeville.  
Enfield—W. V. Rumsey, Enfield Center.  
Groton—Ashbel Landon, Groton.  
Ithaca, Arthur W. Kline, Ithaca.  
Lansing—Charles D. Howell, Ludlowville.  
Newfield—Charles McDaniels, Newfield.  
Ulysses—Charles G. Taylor, Trumansburg.

ITHACA CITY GOVERNMENT.

Mayor—Randolph Horton.

Concrete Building Blocks, Fancy and Ornamental, any color.  
The O. F. Bovier Concrete Works, 538-540 W. State St. Telephone.

Second-Hand Pipe, Rods, Bolts, Nuts, etc., ISAAC COAN, 623-625 W. State St. Both Phones

FOR SALE BY

ALDERMEN.

First Ward—Daniel Crowley, Patrick Leary.  
Second Ward—N. L. Garling, William H. Morrison.  
Third Ward—Bert R. Mitchell, Edward H. Bostwick.  
Fourth Ward—H. H. Wing, P. S. Millspaugh.  
Fifth Ward—Will P. Baker, Thomas Tree.  
Regular meetings first Wednesday of each month at 8 p. m.

STANDING COMMITTEES FOR 1909.

Finance—Wing, Leary, Mitchell, Tree, Garling.  
Ordinances and City Charter—Crowley, Bostwick, Mills-  
paugh.  
Police Department—Mitchell, Morrison, Baker.  
Relations with the Board of Public Works—Tree, Mills-  
paugh, Wing.  
Relations with the Fire Commission—Garling, Crowley,  
Bostwick.  
Relations with the Board of Health and Commissioner of  
Charities—Leary, Morrison, Baker.

CITY OFFICERS.

City Clerk—W. O. Kerr.  
City Attorney—P. F. McAllister.  
City Chamberlain—E. N. Corbin.  
Collector—E. N. Corbin.  
Assessor—F. A. Cobb; Associate Assessors—J. P. Merrill,  
E. E. Ingalls.  
Commissioner of Charities—J. P. Kelly.  
Commissioner of Buildings—C. L. Vivian.  
City Judge—M. M. Sweetland.  
Acting City Judge—E. N. Jackson.  
Police Commissioner—William Sullivan.

BOARD OF PUBLIC WORKS.

The Mayor, President and Member ex-officio.  
Commissioners—Robert H. Treman, E. C. Stewart, Holmes  
Hollister, E. E. Haskell, James Lynch, Louis P. Smith.  
Superintendent of Public Works—H. A. St. John.  
Engineer—Donald F. McLeod.  
Assistant Superintendent—Thomas McCarthy.  
Assistant Superintendent—H. L. Stewart.  
Clerk—W. O. Kerr.  
Regular meetings second and fourth Wednesdays in each  
month at 7:30 P. M., Council Chamber, City Hall.

Give THE ITHACA FUEL SUPPLY CO. a Trial Order  
and you will always be their customer.

High Grade Plumbing Work done by P. M. Donohue, 207 N. Aurora St.

Insure your Property with Georgia & Southworth, 156 E. State St.

STANDING COMMITTEES FOR 1909.

Streets and Sidewalks—Lynch, Stewart, Haskell.  
Creeks and Bridges—Haskell, Treman, Hollister.  
Water—Hollister, Treman, Smith.  
Parks and Cemeteries—Treman, Stewart, Lynch.  
Garbage Disposal and Street Lighting—Stewart, Hollister, Smith.  
Sewers, Drains and Public Buildings—Smith, Lynch, Haskell.

BOARD OF HEALTH.

The Mayor, President and member ex-officio.  
Commissioners—George B. Davis, L. M. Dennis, H. B. Besemer, W. A. Stocking, Arthur D. White, H. L. Stewart.  
Health Officer—Dr. H. H. Crum.  
Secretary—W. O. Kerr.  
Sanitary and Plumbing Inspector—John R. Woodford.

SUPERVISING AND EXAMINING BOARD OF PLUMBERS AND PLUMBING.

Henry L. Stewart and John R. Woodford, ex-officio; Fred N. Masters, William M. Brower, Frank H. Higgins.

POLICE DEPARTMENT.

City Judge—M. M. Sweetland.  
Acting City Judge—E. N. Jackson.  
Chief of Police—Edward H. Buck.  
Sergeant—Thomas Shannon.  
Patrolmen—Howard Menzie, William Marshall, Walter Helm, Ralph O. Ellis, Avery D. Smith, Cornelius S. Silke.

FIRE DEPARTMENT.

Commissioners—Albert Scott, Fred B. Howe, Frank C. Cole.  
Secretary—Charles W. Major.  
Treasurer—E. N. Corbin.  
Chief Engineer—Jay W. Bishop.  
First Assistant Engineer—Frank Relyea.  
Second Assistant Engineer—Michael F. Conway.  
Superintendent of Hose—W. H. Herrington.  
Superintendent of Fire Alarm—Jay W. Spaulding.  
Company Officers—Cayuga Hose Co., No. 1—Foreman, William Burns; Secretary, Clarence Burns. Rescue Steamer Co., No. 2—Foreman, John A. Fisher; Secretary, Harry Ferrell. Tornado Hook and Ladder Co., No. 3—Foreman,

**SPECIAL HAND-MADE FURNITURE,--E. G. SNOW,  
109 South Titus Ave.**

Franklin and Cadillac Automobiles at F. A. McClune's, 206 S. Cayuga St.

All Kinds of Blank Books Ruled and Bound to Pattern at F. GEORGE REED'S.

Buy Steam and Smithing Coal  
 Also Hard and Soft Wood of  
**Leary Coal Co., 628-630 W. Seneca St.**

Buy a Nineteen  
 Payment in the

**Home Life Ins. Co.,**

**STEVENS & MORGAN,**  
 General Agents, 220 East State St.

George E. Houghton; Secretary, E. H. Hulbert. Eureka  
 Hose Co., No. 4—Foreman, John J. Krist; Secretary, Samuel  
 S. Gress. Torrent Hose Co., No. 5—Foreman, Fitch H.  
 Stephens; Secretary, J. B. Myers. Sprague Steamer Co.,  
 No. 6—Foreman, Eugene Brown; Secretary, Carl Crandall.  
 Cataract Hose Co., No. 7—Foreman, N. A. Savercool; Sec-  
 retary, William Brown. Protective Police Co., No. 8—Cap-  
 tain, R. B. Williams; Secretary, E. K. Johnson. Neriton  
 Hose, Chemical and Hook and Ladder Co., No. 9—Foreman  
 J. H. Mather; Secretary, Leo Sullivan.

THE FIRE ALARM.

Location of Boxes.

- 14—South Aurora street at Driscoll Bros. & Co.
- 16—South Aurora and Pleasant streets.
- 18—Stewart avenue and Seneca streets.
- 21—Cornell Incubator Works.
- 23—State and Cayuga streets.
- 24—Clinton and South Albany streets.
- 25—State and Plain streets.
- 26—No. 6 Engine House.
- 27—Buffalo and West Port streets.
- 28—South Cayuga and Spencer streets.
- 34—Albany and Mill streets.
- 35—Cayuga and Cascadilla streets.
- 36—Foot of Third street.
- 37—Adams and Dey streets.
- 38—Cascadilla street and Park Place.
- 42—Ithaca Gun Works.
- 43—Mill and Linn streets.
- 45—Aurora and Yates street.
- 46—Aurora street and Railroad avenue.
- 47—Lake street and University avenue.
- 48—Cornell Heights and Thurston avenue.
- 51—Buffalo and Spring streets.
- 52—State and Eddy streets.
- 53—Buffalo and Eddy streets.
- 54—College avenue and Dryden road.
- 56—Stewart and South avenues.
- 62—Tioga and Seneca streets.
- 121—Morrill Hall.
- 122—Franklin Hall.
- 123—Reservoir and East avenues.

AMERICAN ASSETS \$13,212,749  
 LOSSES PAID IN 1908 \$3,916,868

**The Liverpool & London & Globe**  
 FIRE INSURANCE COMPANY.

} ARTHUR G. ADAMS, Agent,  
 4 Bates Block, Ithaca, N. Y.

**Go to W. L. JENKS for an Estimate Before you Build.**  
**306 WEST SENECA ST.**

No Home Complete Without Ithaca Telephones. Only \$1.25 per Month.

- 124—Agricultural College.
- 125—Veterinary College.
- 126—Sage College.
- 127—South and Central avenues.
- 223—Journal Building.
- 236—Ithaca Salt Works.
- 237—Ithaca Calendar Clock Building.

FIRE ALARM SIGNALS.

- 1 stroke—Break in line.
- 2 strokes—Calls No. 2 engine.
- 2-2 strokes—Calls No. 2 wagon.
- 3 strokes—Calls No. 3 truck.
- 4 strokes—Fire under control.
- 5 strokes—Calls Nos. 1 and 5.
- 6 strokes—Calls No. 6 engine and hose.
- 7 strokes—Calls No. 7 hose.
- 2-2-2 strokes—Calls entire department except No. 9 wagon.
- 3-3 strokes—More water pressure.

JUSTICES OF THE SUPREME COURT, SIXTH JUDICIAL DISTRICT.

Albert H. Sewell, Walton ; Albert F. Gladding, Norwich ; Henry B. Coman, Morrisville ; Walter Lloyd Smith, Elmira ; George F. Lyon, Binghamton ; Nathan L. Miller, Cortland.  
 Court Stenographers—Theodore C. Rose, Elmira ; Henry L. Beach, Binghamton ; John B. Murray, Delhi.

SUPREME COURT.

Trial and Special Terms in 1909.

Fourth Monday in March, Judge Gladding. First Tuesday in September, Judge Lyon. First Monday in December, Judge Coman.

TERMS OF COUNTY COURT IN TOMPKINS COUNTY, 1909.

Terms of the County Court without a jury will be held at the Chambers of the County Judge :

- Fourth Tuesday of January.
- Second and fourth Tuesdays of February.
- Second and fourth Tuesdays of March.
- Second and fourth Tuesdays of April.

Call on Isaac LaBarr 501 N. TIOGA ST. for Choice Confectionery and Bake Stuffs. Both Phones.

Second-hand FURNITURE, STOVES, CLOTHES, SHOES AND BOOKS BOUGHT AND SOLD BY Isaac Coan, 623-625 W. STATE STREET, BOTH PHONES.

First and third Tuesdays of May.  
 First and fifth Tuesdays of June.  
 Third Tuesday of July.  
 Second and fourth Tuesdays of September.  
 Third Tuesday of October.  
 Third Tuesday of November.  
 Second and third Tuesdays of December.

Trial Terms of the County Court, at which a jury will be required to attend, will be held at the Court House on the following dates: On the first Tuesday of January, the third Monday of April, and the second Monday of November.

Any business may be noticed for said terms that can be transacted thereat according to law.

ITHACA BAR.

Arthur G. Adams, Bradford Almy, Bert T. Baker, James L. Baker, Harry C. Baldwin, S. Edwin Banks, Charles H. Blood, Charles D. Bostwick, Edward H. Bostwick, Theodore K. Bryant, Thomas W. Burns, Fred L. Clock, Paul K. Clymer, Fordyce A. Cobb, Herbert L. Cobb, Howard Cobb, Frederick D. Colson, Daniel Crowley, Francis K. Dalley, George B. Davis, David M. Dean, Fred N. Dean, E. M. Ellis, Abraham W. Feinberg, William A. Finch, Edward H. Frear, S. Morris Halliday, Randolph Horton, Frank Irvine, Edward N. Jackson, Jesse H. Jennings, Willard M. Kent, Paul S. Livermore, Peter F. McAllister, John J. McGuire, Edward J. Mone, Jared T. Newman, William Nelson Noble, Sherman Peer, Murray E. Poole, Raymond L. Smith, William Hazlitt Smith, John H. Southworth, Clarence C. Squier, C. Tracey Stagg, Fitch H. Stephens, Harry C. Stutz, Monroe M. Sweetland, George S. Tarbell, Eugene Terry, Edwin C. Tichenor, Myron N. Tompkins, Mynderse VanCleaf, Edwin H. Woodruff.

TOMPKINS COUNTY BAR.

(Outside Ithaca)

DRYDEN—George R. Burchell, George E. Goodrich, Lester D. Mallery, George E. Monroe, D. F. VanVleet. GROTON—John J. Hare, Herman S. Hopkins, Dana Rhodes, Giles M. Stoddard. SLATERVILLE—Lyman H. Gallagher. TRUMANSBURG—Guy O. Hinman, Ossian G. Noble, Alvah P. Osborn, Clarence L. Smith.

Fair Dealing, and up to date method of handling Best Coal makes Satisfied Customers for THE ITHACA FUEL SUPPLY CO.

*Plumbing and Plumbing Repairs, P. M. Donohue, 207 N. Aurora St.*

**Houses For Rent and Sale, GEORGIA & SOUTHWORTH, 156 E. State St.**

NOTARIES PUBLIC IN ITHACA.

Arthur G. Adams, Bradford Almy, Frederica Andrus, Earl E. Atkinson, Bert T. Baker, James L. Baker, John M. Baker, William H. Baker, Harry C. Baldwin, Stephen Edwin Banks, George A. Barton, Sarah A. Beach, Edward H. Bostwick, Clinton D. Bouton, Frank David Boynton, Charles A. Brewer, Theodore K. Bryant, (Mrs.) Charlotte VanOrder Bush, Henry W. Butler, Lucy H. Calkins, Margaret M. Callahan, W. Bradley Carhart, Lorenzo Clinton, Paul Kendal Clymer, Fordyce Allen Cobb, Howard Cobb, Louise H. Cole, Etta May Conover, Daniel Crowley, Francis K. Dalley, George B. Davis, William Joshua Davis, David M. Dean, Fred N. Dean, Edwin S. DeLany, Anna Louise Drake, Abraham W. Feinberg, Edward H. Frear, Willard B. Georgia, Bella Goldman, Frederick J. Griffin, John G. Gudmundsen, Morris S. Halliday, William Pack Harrington, Flora Marie Harvey, John Frank Hawkins, Horace M. Hibbard, Dora A. Hildebrant, Alvah B. Hillick, Mary E. Holmes, Randolph Horton, Charles C. Houghton, Harriet M. Howell, Orange P. Hyde, Edward E. Ingalls, Charles Austin Ives, Edward N. Jackson, Jesse H. Jennings, A. R. Johnson, Benjamin Louis Johnson, Frederica E. Keeler, John A. Kelly, Paul Smith Livermore, Horace Mack, Charles W. Major, Peter Francis McAllister, Daniel E. Marsh, Almira Manning, R. A. McAllister, John J. McGuire, Elizabeth McNally, Delbert Mitchell, Edward J. Mone, Etta M. Newman, Jared T. Newman, Millard H. Norton, Howard L. O'Daniel, Robert H. Parry, Lincoln E. Patterson, Sherman Peer, Murray E. Pool, Laura E. Post, Robert L. Post, Bernard J. Reilly, James B. Robinson, Jr., Squire B. Rolfe, Albert Henry Roskelly, (Mrs.) Fannie P. Rowe, Clara B. Seaman, Fred. H. Smith, Raymond L. Smith, William Hazlitt Smith, Clarence A. Snyder, John Howard Southworth, Robert G. H. Speed, Clarence C. Squier, Charles T. Stagg, Charles B. Stanion, Fitch H. Stephens, Albert G. Stone, Zaidée H. Stone, Monroe M. Sweetland, Clarence D. Tarbell, George Schuyler Tarbell, Eugene Terry, Edwin Carlton Tichenor, Myron N. Tompkins, Reginald A. Trefethen, A. Belle Van Auken, David Nichols Van Hoesen, Fannie D. Warner, Arthur Benjamin Wellar.

Magazines, Pamphlets, etc., **F. George Reed.**  
Bound in the Latest Styles.

Special Attention given to Examining Children's Eyes. **W. T. Kellogg, 522 W. State St.**

All Repairing Neatly and Promptly Done. **Cummings & Martin**  
105 EAST GREEN ST.



NOTARIES PUBLIC IN TOMPKINS COUNTY.  
(Outside Ithaca)

*Brookton*—George R. Peck, Walker V. Personius, Dewitt F. Roe. *Caroline Center*—John Davis. *Danby*—William A. Howland, R. B. Meaker. *Dryden*—Frederick H. Cuykendall, George E. Goodrich, Lester D. Mallery, George E. Monroe, DeForest Van Vleet. *Enfield Center*—William Barber. *Etna*—Charles M. Cogswell. *Freeville*—Fred E. Darling, Isabelle Dawson, Charles W. Parker. *Groton*—Laurence J. Conger, Walter B. Gale, John J. Hare, Herman S. Hopkins, Ashbel Landon, Hiram G. Moe, Dana Rhodes, Giles M. Stoddard. *Jacksonville*—Theron E. Allen, F. S. Bower, Nathaniel T. Ward. *Ludlowville*—Charles Drake, Frances R. Lyon, D. Ernest Thayer. *McLean*—Barzillai L. Robinson, George B. Sickmon. *Newfield*—Estus Patterson, George W. Peck, Berkley Simpson. *North Lansing*—Frank H. Tarbell. *Slaterville Springs*—Charles L. Davis, Abel T. Lott. *South Lansing*—Charles O. Drake. *Trumansburg*—C. W. Bower, William D. Halsey, Guy O. Hinman, Rathbone I. Hunt, Alvah P. Osborn, Purlie F. Sears, August B. Smith, James K. Wheeler, Levi James Wheeler. *Trumbulls Corners*—Charles B. Boice. *West Danby*—Frank A. Todd. *West Groton*—Charles C. Fitch, Edgar F. Tallmadge.

LOCAL UNITED STATES OFFICERS.

Leroy H. Van Kirk, Postmaster; Edward H. Bostwick, U. S. Commissioner; George S. Tarbell, Referee in Bankruptcy; Board of Pension Examiners, W. H. Lockerby, M.D., President; E. R. Osterhout, M.D., Secretary; M. A. Dumond, M.D., Treasurer.

ITHACA POST OFFICE.

North Tioga street corner East Buffalo.

Leroy H. Van Kirk, Postmaster; J. A. Tompkins, Assistant Postmaster; James L. Murphy, Superintendent Carriers; Max A. Noethlig, Registry Clerk; Mary V. Smith, Money Order Clerk; Anna L. Atkinson, Stamp Clerk; John Vant, Jr., Leon L. Dickens, Distributors; Fred C. Hollister, General Delivery Clerk; George W. Hunt, Cary H. Brown, Mailing Clerks; Roy R. Grant, Stamper; Edwin N. Close, Distributor; Louis M. Burt, General Utility Clerk; Dana E. Dean, Substitute Clerk; Thomas A. Chipman, Jeremiah Decker, Special Delivery Messengers.

**Kohm & Brunne,** Successors to B. F. McCORMICK, **Merchant Tailors.**

**J. L. ROHRER will put you down a first-class Sidewalk and Guarantee it.** Ithaca Phone 431-Y

GROSS ASSETS.....\$5,874,016  
LOSSES PAID IN 1908 \$1,502,703

**Germania Fire Insurance Company.**

ARTHUR G. ADAMS, Agent,  
4 Bates Block, Ithaca, N. Y.

**The Cheapest Place to Buy Housefurnishings, H. J. BOOL CO.**

Carriers—Willis Hausner, John Johnson, Edwin T. Heustis, Charles F. Carpenter, William E. Pearson, Louis C. Goodrich, William J. Pringle, John E. Mason, Christopher M. Kelly, John M. Carty, Fred E. Putney, William S. Elwell, George W. Terwilliger, Charles W. Mabee, John F. Bolger, Howard J. Batterson, Arthur W. Murphy. Substitutes—Lee E. Hulslander, Allen G. Sager, LeGrand S. Vandermark.

R. F. D. Carriers—1, William Ludwig; 2, Charles H. Gardner; 3, Charles H. Palmer; 4, Fred H. Cornish; 5, Henry T. Patterson; 6, Murray Johnson; 7, John P. Konantz; 36, Frank J. Deuel.

Office open from 7 a. m. to 7 p. m. Registry Department open from 8 a. m. to 6 p. m. Money Order Department open from 8 a. m. to 6 p. m.

Station No. 1, 414 Eddy street—Fred H. Blackmer, Clerk in charge.

Station No. 2, Cornell Co-Operative Society—B. E. Sanford, Clerk in charge.

Station No. 3, 507 N. Cayuga street—E. J. Bentley, Clerk in charge.

**POST OFFICES IN TOMPKINS COUNTY.**  
(Money Order Offices in *Italic.*)

POST OFFICE.	TOWN.
Besemer .....	Caroline
<i>Brookton</i> .....	Caroline
Caroline Depot .....	Caroline
<i>Dryden</i> .....	Dryden
<i>Enfield Center</i> .....	Enfield
<i>Etna</i> .....	Dryden
<i>Freeville</i> .....	Dryden
<i>Groton</i> .....	Groton
Heddens .....	Lansing
<i>Ithaca</i> .....	Ithaca
<i>Jacksonville</i> .....	Ulysses
<i>Ludlowville</i> .....	Lansing
<i>McLean</i> .....	Groton
<i>Myers</i> .....	Lansing
<i>Newfield</i> .....	Newfield
<i>North Lansing</i> .....	Lansing
<i>Peruville</i> .....	Groton
<i>Slaterville Springs</i> .....	Caroline
South Lansing .....	Lansing
<i>Taughannock Falls</i> .....	Ulysses

CONCRETE BRICKS, SILLS, LINTELS, WATER TABLES, DRAIN TILING, ETC.  
The O. F. Bovier Concrete Works, 538-540 W. State St. Telephone.

Over 4000 Telephones IN TOMPKINS COUNTY Exclusively Connected With Ithaca Telephone Co. Lines.

Gliders, Shafting, Rails, Bar Iron and Steel Rods of all kinds for sale by ISAAC COAN, 623-625 WEST STATE STREET. BOTH PHONES.

<i>Trumansburg</i> .....	Ulysses
Trumbulls Corners, Station of .....	Newfield
Varna .....	Dryden
<i>West Danby</i> .....	Danby
Willow Creek .....	Ulysses

BANKS.

Tompkins County National Bank, Nos. 135 and 137 E. State street—R. H. Treman, President; John C. Gauntlett, Vice-President; Henry L. Hinckley, Vice-President; Albert G. Stone, Cashier; David N. Van Hoesen, Assistant Cashier; George C. Mowry, Clarence A. Snyder, W. G. Cobb, Bookkeepers. Capital, \$100,000; surplus and profits, \$150,000; discount day, Thursdays.

First National Bank, Cornell Library Building, corner Seneca and Tioga streets—Roger B. Williams, President; Henry B. Lord, Vice-President; Charles W. Gay, Cashier; Charles W. Major, Assistant Cashier; B. L. Johnson, Teller; L. E. McRavy, William J. Romer, Bookkeepers; LaVere Robinson, Assistant bookkeeper; Walter Chapman, Albert E. Williams, John O. Hasenjager, clerks. Capital, \$250,000; surplus and profits, \$100,000.

Ithaca Savings Bank, corner Tioga and Seneca streets—Roger B. Williams, President; John C. Gauntlett, First Vice-President; Emmons L. Williams, Second Vice-President; William J. Storms, Treasurer and Secretary; A. B. Hillick, Assistant Treasurer; G. L. Cook, Bookkeeper; Frank S. Hoover, Assistant Bookkeeper; Mynderse Van Cleef, Attorney.

Ithaca Trust Co., 110 N. Tioga street—Mynderse Van Cleef, President; Emmons L. Williams, 1st Vice-President; C. E. Treman, 2nd Vice-President and Treasurer; William H. Storms, Secretary and Cashier. Capital, \$100,000; surplus and profits, \$125,000.

Rothschild Brothers & Co., private bankers, corner State and Tioga streets.

Ithaca Mechanics' Society, 156 E. State street—John C. Gauntlett, President; Thomas G. Miller, Vice-President; W. B. Georgia, Treasurer; F. J. Wilson, Secretary.

EXPRESS COMPANIES.

American Express Co., 115 N. Aurora street—J. W. Bishop, Agent.

United States Express Co., 111 S. Cayuga street—H. R. Sutphin, Agent.

**The Ithaca Fuel Supply Co. will furnish all kinds Wood**

ANY LENGTH. HICKORY FOR FIREPLACES A SPECIALTY.

A New Supply of Plumbing Goods always to be found at Donohue's, 207 N. Aurora St.

WE COLLECT RENTS AND LOOK AFTER PROPERTY. Georgia & Southworth, 156 East State Street.

TELEGRAPH AND TELEPHONE COMPANIES.

Central N. Y. Telephone and Telegraph Co., 121 W. State street—W. J. Mitchell, Manager.

Ithaca Telephone Co., 111 E. State street—R. B. Fegan, Manager.

Western Union Telegraph Co., Library Building, corner Seneca and Tioga streets—A. H. Krum, Manager.

Postal Telegraph Co., 105 N. Aurora street—George K. Parr, Manager.

NEWSPAPERS.

Ithaca Journal (daily and Weekly), Priest & Benjamin, Proprietors, 123-125 W. State street. Terms, daily, \$6 per year; by carriers, 50c per month; weekly, \$1.50 per year.

Ithacan (weekly), Lewis A. Clapp, Proprietor, 117 and 119 S. Tioga street. Terms, \$1.50 per year.

Holstein-Friesian World, published semi-monthly. C. G. Brown, Editor and Publisher, 130 Linden avenue. Terms, \$1 per year; three years, \$2 in advance.

Ithaca Daily News, The Forest City Printing Co., Publishers, Herbert J. Fowler, Editor, Charles E. Westervelt, Business Manager, 126 S. Tioga street. Terms, by carrier, 10c per week, \$5 per year; by mail, \$3.00 per year.

Ithaca Chronicle and Democrat (weekly), 122 S. Tioga street, Atkinson & Mitchell, Proprietors. Terms, \$1 per year.

COLLEGE PUBLICATIONS.

Cornell Alumni News (weekly), 110 N. Tioga street, Woodford Patterson, Secretary and Treasurer. Terms, \$3 per year in advance.

Cornell Civil Engineer, published monthly during college year, Lincoln Hall. Terms, \$2 per year.

Cornell Countryman, published monthly at N. Y. State College of Agriculture. Terms, \$1 per year, in advance.

Cornell Daily Sun, 4 and 5 Trust Co. Building, published during college year: F. J. Noyes, Business Manager. Terms, \$3 per year, in advance.

Cornell Era, published monthly during college year. Terms, \$1.50 per year.

Sibley Journal of Engineering, published monthly by Sibley College engineering students. Terms, \$2 per year.

The Cornell Widow, office 220 E. State street, W. B. Clift, Business Manager; semi-monthly. Terms, \$2 per year.

**SPECIAL HAND-MADE FURNITURE,--E. G. SNOW, 109 South Titus Ave.**

*Bicycles and Cycle Sundries at F. A. McClune's, 206 S. Cayuga St.*

*F. George Reed's University Book Bindery, 118 to 124 S. Tioga St.*

**Buy the Celebrated Scranton Coal of Leary Coal Co.** **DRY and WELL SCREENED.**  
**Satisfaction Guaranteed.**

**Stevens & Morgan,** Gen'l Agts. **Home Life Ins. Co.** Ask for information on our Annual Dividend Policy.

CHURCH PUBLICATIONS.

The Church Helper, published monthly in the interest of the First Methodist Episcopal Church. Terms, 25c per year.  
 The First Baptist, published monthly in the interest of the First Baptist Church. Terms, 25c per year.  
 The Parish Record, published monthly in the interest of the Immaculate Conception Church. Distributed free to Parishioners at the Church; 50c per year by mail.

RAILROADS.

D. L. & W. R. R.—W. H. Truesdale, President, New York City; T. E. Clark, General Superintendent, Scranton, Pa.; C. J. Phillips, Division Superintendent, Buffalo, N. Y.; G. A. Cullen, General Passenger Agent, New York City; E. J. Quackenbush, Division Passenger Agent, Buffalo, N. Y.; W. A. Miller, Freight and Ticket Agent, Ithaca, N. Y.; F. W. Phillips, City Ticket Agent, 213 E. State street; H. A. Smith, Coal Agent, Scranton, Pa.

Lehigh Valley R. R.—C. J. Shea, Assistant Superintendent, Sayre, Pa.; J. H. Morrow, Station Agent; T. B. Hill, General Yard Master; P. S. Millsbaugh, District Passenger Agent; H. E. Hoover, Ticket Clerk at Station; Harry Fisher, City Ticket Agent; W. E. Brown, Cashier L. V. Coal Co.

Elmira and Cortland Branch, Auburn Division, L. V. R. R.—C. W. Kinney, Superintendent, Auburn, N. Y.; F. A. Grover, Station Agent.

New York, Auburn and Lansing R. R.—Ticket office, 109 N. Tioga street; freight station, G. E. Taylor, Agent, N. Tioga street, corner Falls.

Ithaca Street Railway Co.—C. W. McChesney, President; H. Flint, Vice-President; H. A. Clarke, Secretary and Treasurer; R. L. Post, General Manager.

CHURCHES AND CHURCH SOCIETIES.

Evening services 7:30 from May 1st to November 1st; 7 from November 1st to May 1st.

BAPTIST.

First Church, DeWitt Park, Rev. R. T. Jones, D.D., Pastor—Services, 10:30 a. m. and 7 p. m. Sunday school, 11:45 a. m.; Frank Brown, Superintendent. Prayer meeting every Wednesday evening at 7:30. Young People's Society of Christian Endeavor meets every Sunday evening in the church

**W. L. Jenks** Makes a Specialty of Jobbing and Repairing.  
**306 WEST SENECA STREET.**

GROSS ASSETS.....\$6,849,258  
 LOSSES PAID IN 1908, \$2,317,440

**COMMERCIAL UNION**  
 FIRE ASSURANCE COMPANY.

{ARTHUR G. ADAMS, Agent,  
 4 BATES BLOCK, Ithaca, N. Y.

The Long Distance Service of ITHACA TELEPHONE COMPANY is Perfect.  
WE ARE THE ORIGINATORS OF GOOD SERVICE

lecture room after evening service. The Woman's Missionary Society meets Friday of each month after first Sunday at church lecture room. Brotherhood of St. James meets second and fourth Monday evenings of each month at 8 o'clock.

Calvary Church, 507 N. Albany street, Rev. N. M. Clarke, Pastor—Services, 11 a. m. and 8 p. m. Sunday school, 12 m.; Mrs. William R. Robinson, Superintendent.

Tabernacle, corner Utica street and Railroad avenue, Rev. Sylvester S. Vose, Pastor—Services at 11 a. m. and 7 p. m. Sunday School at 12 m.; Albert Scott, Superintendent. Y. P. S. C. E. meets Sunday evening at close of church service.

ROMAN CATHOLIC.

Church of the Immaculate Conception, corner N. Geneva and W. Seneca streets, Rev. W. H. Harrington, M.R., Rev. James Winters, Assistant. Services: Sundays, First Mass, 8:15 a. m.; Second Mass (children's mass), 9:30 a. m.; High Mass, 10:30 a. m.; Baptisms, 3:30 p. m.; Vespers, 4 p. m.; Catechetical Instruction, 4:20 p. m.; Benediction of Blessed Sacrament, 4:40 p. m. Holydays, First Mass, 5:30 a. m.; Second Mass, 7 a. m.; Third Mass, 9 a. m. First Fridays, First Mass, 6 a. m.; Second Mass, 8 a. m. Week days, Parochial Mass, 7:30 a. m. Society Meetings: Rosary Society, first Sunday of month, 5 p. m.; Holy Name Cadets (boys), second Sunday of month, 3 p. m.; Holy Name Society (men), second Sunday of month, 7:30 p. m.; Children of Mary (girls), third Sunday of month, 3 p. m.; Young Ladies' Society, third Sunday of month, 5 p. m.; Ladies' Aid Society, first Tuesday of month, 8 p. m.; C. W. B. L., first and last Mondays of month, 8 p. m.; C. M. B. A., first and third Mondays of month, 8 p. m.

CONGREGATIONAL.

First Church, corner W. Seneca and N. Geneva streets, Rev. Edward A. George, Pastor—Services at 11 a. m. and 7 p. m. Sunday school at 12:15. Prayer meeting Wednesday evenings at 7:30. Woman's Union meets weekly in church parlors. The Ministering and Serving Circle of the King's Daughters meets monthly. Woman's Missionary Society meets monthly.

EPISCOPAL.

St. John's Church, corner N. Cayuga and W. Buffalo streets, Rev. W. Herbert Hutchinson, Rector—Services at 8 and 11 a. m. and 5 p. m. Ladies' Guild meets Thursday afternoon

No Better Place to  
Buy Groceries than at

*Isaac LaBarr's*, 501 NORTH  
TIOGA ST.

IF YOU HAVE ANY IRON, METAL, RUBBER,  
RAGS OR PAPER, DROP A POSTAL TO  
**Isaac Coarn,**  
AND HE WILL CALL FOR SAME.  
623 W. STATE ST. Both Phones.

**Special Attention given to Plumbing Repairs at P. M. DONOHUE'S.**  
207 NORTH AURORA STREET.

**Real Estate and Insurance, Georgia & Southworth, 156 E. State St.**

of each week at 2:30 at the Parish House. Senior Chapter St. Andrew's Brotherhood meets second and fourth Sunday nights of each month at the Parish House, after divine service. The Junior Chapter meets every Friday night at 7:30 at the Parish House. Daughters of the King meet second and last Monday nights of each month at 7:30 at the Parish House. Woman's Auxiliary to Board of Missions meets every Tuesday at 2:30 p. m. at the Parish House. The Girls' Club meets first Tuesday night of each month at 7:30 at the Parish House.

St. John's Inlet Chapel, Hector street, Rev. W. Herbert Hutchinson, Rector—Services at 3 p. m.

**METHODIST EPISCOPAL.**

First Church, 402 N. Aurora, corner E. Mill street, Rev. Wallace E. Brown, Pastor—Services at 10:30 a. m. and 7 p. m. Sunday School after morning service; Prof. H. H. Norris, Superintendent. Epworth League meets Sunday evenings of each week after church service in church parlors. Woman's Foreign Missionary Society meets monthly. Young Woman's Home Missionary Society meets monthly. Woman's Home Missionary Society meets monthly. Woman's Social Union meets monthly.

State Street Church, corner W. State and N. Albany streets, Rev. Douglas D. King, Pastor—Services at 10:30 a. m. and 7:30 p. m. Bible school after morning service; R. H. Parry, Superintendent. Prayer meeting Wednesday evening at 7:30. Class meeting Sunday at 10 a. m., Tuesday at 7:30 p. m. Epworth League meets Sunday evenings after preaching service. The Junior League meets Sunday at 3:30 p. m. The Official Board meets first Monday of each month. Epworth League business meeting, first Friday of each month at 7:30 p. m. Ladies' Aid Society meets at call of President. Woman's Foreign Missionary Society meets last Tuesday of each month.

**AFRICAN METHODIST EPISCOPAL ZION.**

(Colored.)

Church, 116 Cleveland avenue, Rev. C. L. Harris, Pastor—Services at 11 a. m. and 8 p. m. Sunday school at 3:30 p. m.; Grant C. Cannon, Superintendent. Christian Endeavor Society at 7:45 p. m.

**FREE METHODIST.**

First Church, 443 N. Tioga street, Rev. John G. Cole, Pastor—Services at 10:30 a. m. and 7:30 p. m. Sunday School

**LOYAL SOCK COAL FOR SUMMER USE, AT THE ITHACA FUEL SUPPLY CO.'S YARDS.**

# Clothes that wear at Baxter & Burris', 150 E. State

at 11:30; Richard Blews, Superintendent. Prayer meeting Wednesday at 7:30 p. m.

### PRESBYTERIAN.

First Presbyterian Church, DeWitt Park, Rev. J. F. Fitschen, Jr., Pastor—Services at 10:30 a. m. and 7:30 p. m. (7 p. m. October to April.) Bible school at 11:50 a. m.; C. E. Treman, Superintendent. Primary, Intermediate and Senior Departments, Adults, Advanced Student and Business Men's Classes, also Home Department. Prayer meeting Wednesday evenings at 7:30. Ladies' Home and Foreign Missionary Society meets third Friday of each month. Mission Bands and Pastor's Class for Young Christians. Dorcas Society meets weekly, October to April, to sew for the needy. The Brotherhood affords opportunities for the men in various church activities. The Women's Church Aid Society plans social gatherings for the year.

### UNITARIAN.

First Church, corner N. Aurora and E. Buffalo streets, Rev. C. W. Heizer, Pastor—Service at 11 a. m. Sunday school at 12:15 p. m. Pastor's study in the church.

### CHRISTIAN SCIENCE.

First Church of Christ, Scientist, 7 and 8 Rothschild Building—Services, Sunday at 11 a. m. and Wednesday at 7:45 p. m. Sunday school at 12 m. Reading room open daily except Sunday from 2:30 to 4:30 p. m.

### MISSIONS.

Mission Chapel, W. State corner W. Buffalo street. Meetings as appointed.

### TOMPKINS COUNTY SUNDAY SCHOOL ASSOCIAT'N.

President, Henry S. Jacoby, 7 Reservoir Ave., Ithaca; Vice-Presidents, the Town Presidents; Corresponding Secretary, John R. Crawford, 139 E. State St., Ithaca; Treasurer, Albert L. Huff, 118 E. State St., Ithaca; Recording Secretary, Mrs. E. H. Rogers, McLean; Secretary of Organized Bible Classes, Ira N. Stillwell, 121 Falls St., Ithaca; Primary Department Secretary, Miss E. Bertha Blue, Trumansburg; Teacher Training Secretary, Mrs. Ira N. Stillwell, 121 Falls St., Ithaca; Home Department Secretary, Mrs. Miles Morton, Groton.

New and Second-Hand Bicycles.

*Cummings & Martin*, 105 EAST GREEN ST.

Padded Sides, Curtain Covers, Morocco, Sheep and Cloth Bindings at **F. GEORGE REED'S.**

**W. T. Kellogg,** DEALER IN CLOCKS, WATCHES, JEWELRY AND OPTICAL GOODS, 522 WEST STATE STREET.



YOUNG MEN'S CHRISTIAN ASSOCIATION OF THE CITY OF ITHACA (Inc.).

Fine new building corner Buffalo and Tioga streets, opposite the new post office. The building, site and furnishings cost \$77,000. Contains free reading room open to all men over 16 years, whether members or not. The privileges of membership include gymnasium with running track, four bowling alleys, swimming pool, hot and cold shower baths, lockers, billiard room with three tables, educational classes, Bible study and social rooms. There are also 38 rooms in the dormitories with special shower rooms on each floor provided at nominal rates for young men away from home. All for young men 18 years or over. Special rooms for the Boy's Department under supervision of special secretary. Younger boys 12-14; Intermediates 14-16; High school group 16-18 years. Low rates made known at Y. M. C. A. office. Building open from 9 a. m. until 10 p. m.; Sundays 2 to 6 p. m. Meeting for men on Sunday at 4 p. m., open to all young men of whatever class or creed.

Officers: S. L. Howell, President; R. G. H. Speed, Vice-President; J. G. Brooks, Recording Secretary; Fred C. Barr, Treasurer. Directors: Clark N. Baldwin, Fred C. Barr, J. G. Brooks, Dr. J. R. Crawford, O. L. Dean, Henry J. Grant, S. L. Howell, Prof. H. S. Jacoby, Geo. Livermore, R. C. Osborn, R. G. H. Speed, Edward Sprigg, C. E. Treman, Prof. H. S. Williams. Trustees: George Frost, Geo. Livermore, T. G. Miller, H. A. St. John, S. L. Howell, ex-officio. Executive Officers: H. W. Northcott, General Secretary; M. H. Putney, Membership Secretary; \_\_\_\_\_, Physical Director; Chas. H. Woodhall, Boy's Secretary. Other assistants: Clarence Debell, Grant Cannon and William Wood.

CORNELL LIBRARY.

Located on corner of N. Tioga and E. Seneca streets. Open to the public daily (except Sundays and legal holidays) from 11 a. m. until 5 p.m.

Officers: Roger B. Williams, President; Frank D. Boynton, Secretary; Charles Mellen Tyler, Librarian; Miss M. E. Mack, Assistant Librarian; Miss Emily J. Rankin, Second Assistant Librarian.

Trustees: Charles Cornell, C. J. Rumsey, D. F. Finch, R. B. Williams, Mynderse Van Cleef. Pastors of Churches,

**Kohm & Brunne,** <sup>Successors to B. F. McCormick</sup> **Merchant Tailors**

If you wish Estimates on any Concrete Work Call Ithaca Phone 431-Y **J. L. ROHRER,** 601 North Cayuga St.

Chicago Fire \$3,239,491 } Paid by Liverpool & London & Globe Ins. Co. { Baltimore Fire.....\$1,051,543.  
Boston Fire \$1,427,290 }  
ARTHUR G. ADAMS, Agent. San Francisco Fire \$4,522,905.

Superintendent of Schools, Chairman of Board of Supervisors, Mayor of City, Chief Engineer of Fire Department, ex-officios.

FREE READING ROOM.

In basement under First National Bank. Open every week day from 9 a. m. to 10 p. m.

THE HOME.

The Home, located at 514 S. Aurora street, was erected by Mrs. Jane P. McGraw in 1876 as a Home for Old Ladies. The officers of the society are: Mrs. Roger B. Williams, President; Mrs. E. T. Turner, Vice-President; Paul S. Livermore, Treasurer.

THE CHILDREN'S HOME.

The Children's Home, 518 W. Seneca street, Mrs. Mary C. Cahoon, Matron.

ITHACA CITY HOSPITAL.

Officers: D. W. Burdick, President; Dr. C. H. Hull, Vice-President; D. B. Stewart, Treasurer; Mrs. D. W. Burdick, Secretary.

Executive Committee: D. W. Burdick, Dr. C. H. Hull, Mrs. E. C. Stewart, Mrs. R. B. Williams, Mrs. George R. Williams, Edwin Gillette.

Finance Committee: R. B. Williams, W. J. Storms.

Prudential Committee: D. W. Burdick, Jacob Rothschild, J. T. Newman, Paul S. Livermore.

PUBLIC SCHOOLS.

CALENDAR.

September 6, 1909, Fall term of 20 weeks begins.

November 12, First quarter ends.

November 15, Second quarter of 10 weeks begins.

November 24-27, Thanksgiving recess.

December 21 to January 4, 1910, Christmas vacation.

January 17-21, 1910, State Board's examination.

January 22, First term ends.

Spring Term, 1910.

January 24, Spring term of 20 weeks begins.

February 22, Washington's Birthday.

April 2-9, Spring vacation.

April 15, Third quarter ends.

Concrete Building Blocks, Fancy and Ornamental, any color. The O. F. Bovier Concrete Works, 538-540 W. State St. Telephone.

Use the Copper Toll Lines of the Ithaca Telephone Company.

SECOND-HAND PIPE, RODS, BOLTS, NUTS, ETC., ISAAC COAN, 623 625 WEST STATE STREET. Both Phones.

April 18, Fourth quarter begins.  
 May 30, Decoration day.  
 June 3-4, Annual exhibit of school work.  
 June 4, State scholarship examination.  
 June 13-17, State Board's examination.  
 June 20, Class day exercises.  
 June 20, Alumni reunion, 8 to 11 p. m.  
 June 21, Commencement exercises.  
 June 22, Grammar School commencement.  
 June 24, Spring term ends.  
 September 5, Fall term, 1910, begins.

BOARD OF EDUCATION.

Term expiring December 31, 1909—John J. Glenzer, Albert G. Stone, Arthur B. Brooks, Charles D. Bostwick.

Term expiring December 31, 1910—Roger B. Williams, President; Charles H. Hull, Henry A. St. John, David B. Stewart.

Term expiring December 31, 1911—Mynderse Van Cleef, \*E. Kirk Johnson, Charles J. Rumsey, Peter F. McAllister.

Officers of the Board—Roger B. Williams, President; Frank D. Boynton, Superintendent; E. K. Johnson, Secretary and Treasurer; Florence C. Fenner, Stenographer, Ithaca 'Phone 373, 109 W. Yates street; F. P. Trumbull, Attendance Officer, Ithaca 'Phone 709-C, 114 S. Geneva street.

STANDING COMMITTEES.

Finance—Commissioners Brooks, Rumsey and Stone.

Teachers, Organization and Examination of Schools—Commissioners St. John, Van Cleef and Glenzer.

Text Books, Library and Apparatus—Commissioners Van Cleef, Hull and Bostwick.

Buildings, Sites and Repairs—Commissioners Stewart, Bostwick and Stone.

Supplies, Fuel, Fire Fixtures and Printing—Commissioners Rumsey, Stewart and Brooks.

Report to the Education Department—Commissioners St. John, McAllister and successor to Mr. Johnson.

Playground—Commissioners McAllister, Hull and successor to Mr. Johnson.

Regular Meetings of the Board—First Tuesday evening of each month at 7:30 o'clock.

Office of the Board and of the Superintendent—High School Building, N. Cayuga street, between Seneca and Buffalo streets.

**Prompt Delivery by Experienced Men is one of the rules of The Ithaca Fuel Supply Co.**

**P. M. DONOHUE, Heating Engineer,**  
 STEAM AND HOT WATER HEATING A SPECIALTY.  
 207 NORTH AURORA ST.

**Insure your property with Georgia & Southworth, 156 E. State St.**

Office Hours of the Superintendent—8:30 to 9:00 a. m.;  
 2:30 to 4 p. m.; Saturday, 9 a. m. to 12 m. Bell Telephone  
 No. 261; Ithaca Telephone No. 345.

FACULTY.

Frank David Boynton, A.M., D.Pd., 112 Parker, Superin-  
 tendent of Schools and Principal of the High School (1893).  
 Bell 'Phone 261-B.

HIGH SCHOOL.

John E. DuBois, Ph.B., Vice-Principal, Mathematics (1909).  
 Bell Sherman, B.S. (Lombard), Science (Emeritus) (1877).  
 110 Quarry.

Alice M. Evans (Alleghany), Mathematics (1895), Assist-  
 ant. Ithaca 'Phone 681, 130 E. Mill.

Margaret Ashton (Ithaca High School), Mathematics (1903).  
 209 W. State.

W. Bradley Carhart (Albany), Business Branches (1903).  
 Ithaca 'Phone 52-X, 421 N. Geneva.

Clarence M. Doyle, A.B. (Cornell), Physical Science (1904).  
 Ithaca 'Phone 405, 128 Blair.

Helen M. Knox, A. B. (Cornell), German (1905). Bell  
 'Phone 206, 108 Spring.

Clara S. Apgar, A.B., A.M. (Cornell), History—English.  
 Bell 'Phone 491-B, 327 S. Albany.

Eva M. Bryan, A. B., A. M. (Syracuse), French (1907).  
 Ithaca 'Phone 398, Bell 'Phone 188, 130 E. Mill.

Herbert C. Shattuck (Ithaca High School), A.B. (Cornell),  
 L.L.B. (New York), Public Speaking English (1907). 616 N.  
 Cayuga.

May Wager (Geneseo), History—Political Science (1907).  
 603 N. Aurora.

William D. Funkhouser, A.B. (Wabash), Biologic Science  
 (1907). Bell 'Phone 4-B, 324 N. Tioga.

Mary V. McAllister (Ithaca High School), A.B. (Cornell),  
 English (1908). 129 Dryden Road.

Isabella D. Rice, A.B. (Mt. Holyoke), Mathematics (1908).  
 Bell 'Phone 477, 405 S. Albany.

Ethel F. Elliott (Ithaca High School), A. B. (Cornell),  
 English (1908). Bell 'Phone 477, 405 S. Albany.

Mabel J. Wood (Ithaca High School), A. B. (Cornell),  
 English (1908). Bell 'Phone 337, 515 N. Cayuga.

Anna T. Messer, A.B. (Cornell), Languages, History, Sci-  
 ence (1908). Ithaca 'Phone 582, 708 E. Buffalo.

GREAT BARGAINS IN  
 SECOND-HAND  
 Automobiles at F. A. McCLUNE'S, 206 S. Cayuga St.

All Kinds of Blank Books Ruled and Bound to Pattern at F. GEORGE REED'S.

If you are thinking of buying Life Insurance see

**Stevens & Morgan,** Gen'l Agts. Home Life Ins. Co., 220 East State Street.

Kathryn B. Kyser, A.B. (Ithaca High School), (Cornell), Biology. Appointed 1909, Ithaca.

Eunice W. Jackson, A.B. (Ithaca High School), (Cornell), French and German. Appointed 1909, Ithaca.

GRAMMAR SCHOOL.

Allen A. Newberry, Principal (Fredonia), (1906). Bell 'Phone 544-B, 334 S. Geneva.

Kate Gudmundsen (Ithaca Training School). 220 Utica.

Bertha E. Ryan, A.B. (Wellesley), (1907). Bell 'Phone 444-B, 201 Oak Ave.

Maude L. M. Sheffer (Ithaca High School and Training Class), (1902). Bell 'Phone 765, 317 N. Plain.

Lena E. Pearson (Ithaca High School and Training School), (1901). Bell 'Phone 443-K, Box 266 Ithaca.

Marie J. Dorland (Oneonta), (1905). Ithaca 'Phone 309, 315 W. Buffalo.

Fannie C. White (Ithaca High School and Training School), (1903-07, 1908). 325 W. Buffalo.

Maude Alexander. Appointed 1894.

Sarah M. Kelley (Cortland). Appointed 1900.

Mildred Hunt (Brockport). Appointed 1907.

Esther L. Patchen. Appointed 1887.

Carrie D. Hitchcock (Rochester), (1905), Domestic Economy. 709 E. State.

Elizabeth Cooper (Oswego), (1906), Manual Training. Bell 'Phone 192-B, 402 W. Buffalo.

CENTRAL SCHOOL.

Charles J. Parks, A.B. (Alfred), Principal. Appointed 1909.

Leila Bartholomew (Cortland). Appointed 1905.

Jessie M. Holley (Oswego). Appointed 1909.

Louise M. Hemenway (Geneseo), (1908). 616 N. Cayuga.

Stella Stark (Cortland), (1909).

Elizabeth G. Lamb (Brockport). Appointed 1909.

Nora M. Dillenbeck (Geneseo), (1908). Bell 'Phone 494-B, 123 Farm.

Blanche Sherrard (Geneseo), (1907). Ithaca 'Phone 709-C, 114 S. Geneva.

Bernice M. White (Cortland), (1908). 317 W. Mill.

Sara A. Falkey (Cortland), (1907). 443 N. Aurora.

Irene Mackey (Geneseo), (1907). Ithaca 'Phone 709-C, 114 S. Geneva.

**W.L. Jenks,** CARPENTER and BUILDER 306 W. Seneca St.

The Germania Fire Insurance Company Arthur G. Adams, Agent, 4 Bates Block, Ithaca, N. Y.

Marie Watrous (Oneonta), (1906). Ithaca 'Phone 431-F, 308 Utica.

Jessie Bartholomew (Cortland). Appointed 1909.

FALL CREEK SCHOOL.

Alice P. Sheffer, Principal (Ithaca High School), (1883). Bell 'Phone 765, 317 N. Plain.

Maude E. Crum (Ithaca High School and Training School), (1903-05, 1908). Ithaca 'Phone 185-X, 212 Linden Ave.

Martha T. Wilson (Cortland). Appointed 1909.

Clara M. Doan (Cortland). Appointed 1909.

Anna Gudmundsen (Cortland). Appointed 1909.

Ida Wandling (Oswego). Re-appointed 1909.

EAST HILL SCHOOL.

Catherine A. Kelly, Principal (Ithaca Training Class), (1891). 127 Blair.

Cora M. Sager (Cortland). Appointed 1909.

Emma A. King (Ithaca High School), (1886). 607 E. Seneca.

Helen M. Gleason (Oswego), (1908). Bell 'Phone 4-B, 132 E. Mill.

Mary A. Dodd (Ithaca High School), (1884). Bell 'Phone 230, 105 E. Seneca.

Katherine O. Williams (Albany), (1906), Kindergarten. Bell 'Phone 809, 145 Cascadilla Lodge.

SOUTH HILL SCHOOL.

Corpelia Williams, Principal (Ithaca High School), (1885). 321 Pleasant.

F. Kathryn Sherwood (Cortland), (1908). Ithaca 'Phone 231-X, 317 S. Aurora.

C. Estelle Mitchell (Oswego), (1897). 224 Columbia.

Laura C. Holman (Ithaca High School and Cortland), (1906), Kindergarten. Bell 'Phone 319, 431 E. Seneca.

WEST HILL SCHOOL.

Mary L. Arnold, Principal (Oneonta), (1903). 603 N. Aurora.

Joanna M. Puff (Ithaca Training Class), (1888). Ithaca 'Phone 198, 406 W. Seneca.

Helen M. Chapman (Ithaca High School and Training School), (1906). Ithaca 'Phone 287, 408 N. Aurora.

Hortense E. Wadsworth (Geneseo), (1908), Kindergarten. 321 N. Tioga.

Choice Canned Goods, Fruits and Vegetables in Season at Isaac LaBarr's, 501 N. Tioga St. Both Phones.

You get the best, using Ithaca Telephones. \$1.25 per month.

Second-Hand Furniture, Stoves, Clothes, Shoes and Books Bought and Sold by ISAAC COAN  
623-625 WEST STATE STREET. BOTH PHONES.

KINDERGARTENS.

Central School Kindergarten, organized 1903, Jessie Bartholomew, teacher.

West Hill School Kindergarten, organized 1904, Hortense E. Wadsworth, teacher.

Fall Creek School Kindergarten, organized 1905, Ida Wandling, teacher.

East Hill School Kindergarten, organized 1906, Katherine O. Williams, teacher.

South Hill School Kindergarten, organized 1906, Laura C. Holman, teacher.

SUPERVISORS.

Abbie E. Comstock, Drawing, Manual Training (Brockport and Pratt), (1897). Bell 'Phone 618-J, 110 W. Mill.

Bertha E. Wells, Training Class and Primary Grades (Buffalo), (1903). 709 E. State.

Laura Bryant, Music (Indiana State Normal), (1906). Ithaca 'Phone 292-X, 118 E. Mill.

SUBSTITUTE TEACHER.

Josephine A. Kinney (Ithaca High School and Training School), (1908). Bell 'Phone 4-B, 324 N. Tioga.

LIBRARIAN.

C. Alberta Hildebrant (Ithaca High School and Syracuse University), (1907). 106 Brandon Place.

ORCHESTRA DIRECTOR.

George Coleman (1905). Bell 'Phone 424-B, 110 Ferris Place.

JANITORS.

High and Grammar Schools—George W. Hunt, 110 Monroe; Edward Whipple, 611 W. Seneca.

Central School—William Barnett, 222 Spencer.

East Hill School—Richard Hill, 111 Stewart Ave.

Fall Creek School, Charles Savercool, 402 E. Railroad Ave.

South Hill School, Clarence Hammond, 322 N. Plain.

West Hill School—William Bradford, 302 Elm.

PRIVATE KINDERGARTEN SCHOOL.

Susie M. Hoyt and Mary E. Rankin. Library Building.

**THE ITHACA FUEL SUPPLY CO. have the most down to date Plant, making it easy to Please and Satisfy Customers.**

Houses FOR RENT AND SALE, Georgia & Southworth, 156 E. State St.

BANDS.

Cornell Glee, Banjo and Mandolin Clubs, 111 N. Tioga street.  
The Lyceum Orchestra—G. L. Coleman, Leader and Manager.

Ithaca Colored Brass Band—John Wye, Leader and Manager, corner Plain and Clinton streets.

Fisher's Band—George Brissette, Leader, 214 W. State street.

Cornell Cadet Band—George Brissette, Leader.

SOCIETIES, ASSOCIATIONS, ETC.

I. O. O. F.

Ithaca Lodge, No. 71—Meets every Friday night at Odd Fellows Temple. G. L. Cook, Recording Secretary.

Iroquois Encampment, No 16—Meets Second and Fourth Mondays of each month at Odd Fellows Temple. L. A. Campbell, Scribe.

Canton Ithaca, No. 58—Meets first and third Mondays of each month at Odd Fellows Temple. Frank Peck, Clerk.

Hawthorne Rebekah Lodge, No. 163—Meets first and third Tuesdays of each month at Odd Fellows Temple. Mrs. Minnie A. Hooper, Recording Secretary.

MASONIC.

Fidelity Lodge, No. 51, F. & A. M.—F. B. Davis, W. M.; O. J. Vorhis, S. W.; W. B. Georgia, Secretary. Regular Communications first and third Tuesdays of each month at Masonic Hall, Savings Bank Building.

Hobasco Lodge, No. 716, F. & A. M.—P. S. Livermore, W. M.; W. G. Cobb, S. W.; O. P. Hyde, Secretary. Regular Communications second and fourth Thursdays of each month.

Eagle Chapter, No. 58, R. A. M.—A. E. Wells, H. P.; A. W. Force, Secretary. Regular Convocations second and fourth Tuesdays.

St. Augustine Commandery, No. 38, Knights Templar—E. N. Jackson, Em. Com.; A. W. Force, Recorder. Regular Conclaves first and third Thursdays.

Ithaca Lodge of Perfection—H. W. Butler, T. P. M.; W. B. Georgia, Secretary. Meets first and third Mondays of each month at Masonic Hall.

Craftman's Club—John T. Egbert, President; G. A. Burris, Secretary. Rooms, Masonic Hall.

*Edison Phonographs and Records—Cummings & Martin*  
105 EAST GREEN STREET.

All Jewelry and Optical Work Guaranteed. **W. T. Kellogg,** 522 WEST STATE ST.



Forest City Chapter, No. 436, O. E. S.—Minnie Lobdell, W. M.; Frank B. Davis, W. P.; Minerva Stubbs, Secretary. Meets second and fourth Fridays in K. of P. Hall, 143 E. State street.

MACCABEES.

K. O. T. M., Cayuga Lake Tent, No. 627—Ambrose Van Zoil, Commander; A. E. Brown, R. K. Meets every Friday evening at 126 Farm street.

K. O. T. M., Ithaca Tent, No. 313—Arthur G. Adams, Commander; G. A. Barton, R. K.; H. C. Smith, F. K. Meets every Wednesday evening at Red Men's Hall.

RED MEN.

I. O. R. M., Bannock Tribe, No. 318—C. E. Covey, Sachem; P. J. Hunt, C. of R. Meets every Thursday evening at Red Men's Hall, State street, corner Cayuga.

I. O. R. M., Serie Tribe, No. 465—Charles Van Patten, Sachem; William Ludwig, C. of R. Meets every Monday evening at 119 E. State street.

Haymakers, Champion Hayloft, No. 318½—Harry Howland, C. H.; H. H. Van Gorder, C. of S. Meets second Saturday evening of each month at Red Men's Hall.

MISCELLANEOUS.

B. P. O. E., Ithaca Lodge—E. J. Mone, E. R.; Leonard Reulien, Secretary. Meets second and fourth Mondays of each month at Elk's Temple.

Civic Club—Napoleon Jackson, Secretary and Manager. Rooms, 101 S. Aurora street.

Cornell Masque (University Dramatic Society), 111 N. Tioga street.

D. A. R., Cayuga Chapter, No. 132—Mrs. Edgar H. Bucklin, Regent; Mrs. Charles V. Parsell, Corresponding Secretary. Meets at homes of members.

DeWitt Historical Society of Tompkins County—Rev. William Elliot Griffis, D.D., President; Peter F. McAllister, Secretary. Meets monthly.

G. A. R., James E. Mix Post, No. 250—F. E. Bates, Commander; Reuben Gee, Adjutant. Meets second and fourth Tuesdays of each month at Odd Fellows Temple.

G. A. R., Sidney Post, No. 41—D. O. Bishop, Commander; T. J. Stephens, Adjutant. Meets Tuesday evening of each week at G. A. R. Hall.

Are You Going to Build? LET ME GIVE YOU ESTIMATES ON YOUR CONCRETE WORK. J. L. ROHRER, Ithaca Phone 431-Y.

THE COMMERCIAL UNION FIRE ASSURANCE CO. Insures Against Loss by Fire, Lightning, Tornadoes and Wind Storms. ARTHUR G. ADAMS, Agent, 4 Bates Block, Ithaca, N. Y.

Kohm & Brunne, Successors to B. F. McCORMICK, MERCHANT TAILORS.

**H. J. BOOL 60., Furniture Makers, Factory at Forest Home**

W. R. C., Sidney Corps, No. 99—Mrs. Margaret Allen, President; Viola Todd, Secretary. Meets second and fourth Thursdays of each month at 2:30 p. m. at G. A. R. Hall.

Ladies of the G. A. R., William Glenny Circle, No. 44—Caroline Beadle, President; Flora Stark, Secretary. Meets first and third Fridays of each month at Red Men's Hall.

Ithaca Country Club—George Livermore, President; A. H. Platts, Vice-President; F. A. Cobb, Secretary; J. B. Taylor, Treasurer.

Knights of Columbus, Ithaca Council, No. 277—J. J. Larkin, G. K.; C. M. Kelly, D. G. K.; William Sullivan, Recorder. Meets second and fourth Thursdays of each month in Blood Block.

Knights of Pythias, Cascadilla Lodge, No. 89—L. C. Smith, C. C.; William French, K. of R. and S. Meets every Wednesday at Castle Hall, 143 E. State street.

Modern Woodmen of America, Ithaca Camp, No. 10,003—A. L. Jenks, President; C. C. Squier, Clerk. Meets first and third Thursdays of each month at Red Men's Hall.

N. P. L., Eureka Legion, No. 211—Mrs. N. Elizabeth Gunn, President; James Dick, Secretary. Meets second and fourth Fridays of each month at Red Men's Hall.

National Slavonic Society, No. 505—Stephen Klinko, President. Meets fourth Sunday of each month at 807 W. State street.

Order of the Golden Seal—G. C. Stanley, Commander; Frank Caswell, Secretary. Meets twice a month at K. of C. Hall.

P. of H., Forest City Grange, No. 288—Montgomery Farling, Master; Mrs. W. E. Pearson, Secretary. Meets first and third Saturday evenings of each month at Odd Fellows Temple.

Royal Arcanum, Forest City Council, No. 147—Robert L. Drew, Regent; E. G. Judd, Secretary. Meets first and third Thursdays of each month at 156 E. State street.

Royal Ladies' Auxiliary to Forest City Council, No. 147, R. A., Forest City Court, No. 22—Mrs. Mary Carr, Royal Princess; Mrs. Edith Brown, Lady Recorder. Meets first and third Thursdays of each month at 156 E. State street.

Senior Loyal Temperance Legion—Mrs. H. G. Shattuck, Secretary. Meets every Tuesday evening at 616 N. Cayuga street.

The Social Service League of Ithaca—Prof. F. A. Fetter,

**CONCRETE BRICKS, SILLS, LINTELS, WATER TABLES, DRAIN TILING, ETC.**  
The O. F. Bovier Concrete Works, 538-540 W. State St. Telephone.

**For Best Prices** on Old Metals, Old Rubber, Old Rope, Woolen Rags, Cotton Rags, Paper Stock, Old Bottles, etc., write **Isaac Coan** 623 W. State St., Ithaca, N. Y. Both Phones.

**Decorative Plants at the Bool Floral Co., 215 E. State St.**

Pres.; Mrs. V. D. Morse, Secretary. Club House, 801 W. State street.

S. of V., D. W. Burdick Camp, No. 40—W. A. French, Captain. Meets first Monday evening of each month at G. A. R. Hall.

Tompkins County Agricultural Society—Prof. H. H. Wing, Pres.; LaVere Robinson, Secretary; F. R. Benton, Treasurer. Seventh annual fair, August 31, September 1, 2, 3, 1909.

Tompkins County Medical Society—I. M. Unger, President; Homer Genung, Vice-President; H. I. Andrews, Secretary; Willets Wilson, Treasurer. Meets second Tuesday of alternate months, beginning with February, at Business Men's Association rooms.

Women's Christian Temperance Union—Mrs. Percy W. Wood, President; Mrs. Charles L. Taber, Secretary. Meets every Thursday at Odd Fellows Temple.

The Women's Club (Literary Society)—Mrs. F. E. Bates, President. Meets every other Monday from October to May.

Women's Political Study Club—Mrs. M. E. Calkins, President; Mrs. E. H. Rhodes, Corresponding Secretary. Meets every other Monday at Unitarian Church Parlors.

Young Colored Men's Club—H. H. Harris, President; W. E. Payne, Secretary and Treasurer. Room, 141 S. Aurora street,

LABOR ORGANIZATIONS.

Central Labor Union—M. F. Nolan, Recording Secretary. Meets first and third Mondays of each month at C. L. U. Hall, Sprague Block.

Amalgamated Sheet Metal Workers' Union, Local No. 26—Charles F. Rappleye, President; C. F. Warren, Secretary. Meets third Thursday of each month at C. L. U. Hall.

Bricklayers' and Masons' International Union, No. 17—George B. Fish, Secretary. Meets second and fourth Fridays of each month at S. of V. Hall.

Carpenters' Union, No. 603—James Tracey, President; F. C. Thompson, Recording Secretary. Meets second and fourth Wednesdays of each month at I. O. R. M. Hall.

Cigarmakers' Union, No. 121—M. F. Nolan, President; August Schmidt, Secretary. Meets third Wednesday of each month at Central Labor Hall.

**THE ITHACA FUEL SUPPLY CO.**

ARE BEST EQUIPPED TO FURNISH THE BEST OF ANY KIND OF FUEL

Special Attention given to Plumbing Repairs at P. M. DONOHUE'S, 207 N. Aurora St.

We Collect Rents and Look After Property. Georgia & Southworth, 156 East State Street

A Complete Line of Autos, Auto Sundries and Repairs at F. A. McCLUNE'S, 206 South Cayuga St.

Clothes of Quality, Baxter & Burris, 150 E. State St.

ITHACA CITY DIRECTORY

43

Ithaca Typographical Union, No. 379—Frank M. Hall, President; H. J. Shultz, Secretary. Meets first Saturday of each month at C. L. U. Hall.

Painters' Brotherhood, No. 178—Marshall Miller, Secretary. Meets first and third Thursdays of each month at I. O. R. M. Hall.

Tailors' Union, No. 93—John Steiner, President; D. A. Getty, Secretary. Meets second Monday of each month at C. L. U. Hall.

Bell Phone 483

Ithaca Phone 423-x

A. K. DEAN

VETERINARY SURGEON

335-341 EAST STATE ST.

**METROPOLITAN LIVERY**

H. W. DEAN, Proprietor.

**First-Class Livery, Hack**

**Boarding and Sale Stable**

**PARTICULAR ATTENTION PAID TO  
PARTY ORDERS**

**Good Four-in-Hand Rigs with the Best of Drivers**

BOTH PHONES

335-341 East State St.

**Special Hand-Made Furniture, E. G. SNOW  
109 S. TITUS AVE.**

*F. George Reed's University Book Bindery, 118 to 124 S. Tioga St.*

SCRANTON COAL GIVES THE BEST SATISFACTION. ALWAYS ON HAND AT LEARY COAL CO., 628-630 W. Seneca St.

# Ithaca City Directory

## 1909

### NAMES IN BOLD TYPE ARE PATRONS

ABBREVIATIONS—ab., above; adv., advertisement; agt., agent; asst., assistant; ave., avenue; bel., below; bet., between; bey., beyond; bds., boards; bldg., building; com. trav., commercial traveler; cor., corner; Co., Company; C. U., Cornell University; dept., department; dist., district; do., ditto; E. east; E. s., East side; h., house; ins., insurance; jr., junior; manuf., manufacturer; mfg., manufacturing; mgr., manager; n., near; N., north; N. s., North side; pl., place; pres., president; prof., professor; propr., proprietor; r., rear; res., resides; R. R., railroad; Ry., Railway; supt., superintendent; S., south; S. s., South side; W., west; W. s., West side.

- Abbott Abraham, (Abbott Bros) 502 W State, h 628 W Buffalo
- Abbott Albert, res 628 W Buffalo
- Abbott Bros, (S and A) furnishings 502 W State
- Abbott George, lineman, rooms 611 W Green
- Abbott George, restaurant 712 W Buffalo, rooms 620 do [do
- ABBOTT JOHN**, (Abbott & Nichols) 714 W Buffalo, res 628 [falo
- Abbott Michael, laborer, res 628 W Buffalo
- Abbott Solomon, (Abbott Bros) 502 W State, res 628 W Buf-
- ABBOTT & NICHOLAS**, (John Abbott and Abraham Nicholas) confectionery, ice cream, soda water and cigars, 714 W Buffalo
- Abel DeForest W, clerk 151 E State, res 441 N Aurora
- Abel Frank A, collector, h 441 N Aurora
- Abel William M, decorator, rooms 226 S Cayuga
- Abraham John, barber 710 W Buffalo, h do
- Ackerman John, tailor, h 315 First [uga
- Ackerman Minnie, bookkeeper 109 E State, rooms 222 S Cay-
- Ackers Charles, clerk 117 E State, bds 112 E Green
- Ackles E Byron, case hardener, h 325 Elm
- Ackles Erma L, waitress 45 East ave, res do
- Ackles Horace A, (Ackles & Sherwood) 45 East ave, h do
- Ackles Mae Mrs, boarding 210 W State

FIRE INSURANCE PROTECTS YOUR HOME AND PROPERTY.

**ARTHUR G. ADAMS, Agent.**

Successor to A. B. WOOD. RELIABLE COMPANIES. PROMPT PAYMENTS.

**W. L. JENKS** Will give Prompt Attention to All Orders. 306 WEST SENECA ST.

- Ackles & Sherwood, (H A Ackles and Fred Sherwood) restaurant 45 East ave  
 Ackley Albert N, distributor, h 307 Willow ave  
 Ackley Hulda T, nurse, rooms 427 W State  
 Ackley Solon P, teamster, h 525 S Albany  
 Ackley Susan, h 112 E Green  
 Acton Edmond, engineer, res 109 Parker  
 Acton H & K, dressmakers 109 Parker  
 Acton Helen, (H & K Acton) 109 Parker, h do  
 Acton Katharine, (H & K Acton) 109 Parker, h do  
 Acton Winifred, res 109 Parker  
 Adam Steve, laborer, bds — Elm  
**ADAMS ARTHUR G**, lawyer and fire insurance 4 Bates bldg 124 N Aurora, h 815 N Tioga (See adv side lines)  
 Adams E Irene, nurse, res 515 S Meadow  
 Adams Emma, (Mrs Austin) maid 427 N Cayuga  
 Adams Frank J, farmer, h S Aurora bey limits  
 Adams George W, carpenter, h 515 S Meadow  
 Adams Harrison, farmer, res S Aurora bey limits  
 Adams Joseph Q, prof C U, res Cornell Heights

**L. E. PATTERSON, Fire Insurance, 115 East State St.**

- Adams Maud, widow David, h 120 Catherine [Tioga  
 Adams Minnie A (Mrs A G), clerk 4 Bates bldg, res 815 N  
 Addis Jessie E, waitress 134 W State, h do  
**ADSITT MARY A**, mgr Wyckoff Phonographic Institute and dealer in Remington typewriters 149 E State, res 114 S Geneva (See adv in letter W) [Iland ave  
 African M E Zion Church, Rev C L Harris pastor, 116 Cleveland  
**AGRICULTURAL EXPERIMENT STATION**, N Y State College of Agriculture  
 Agard Bertha, student, res 407 College ave  
 Agard Ella, student, res 407 College ave  
 Agard Sarah Mrs, h 407 College ave  
 Aiken Fred L, carpenter, h 215 Woodcock  
 Aiken Hazel A, res 215 Woodcock  
 Akins Gertrude E, widow Joseph H, h 213 Cascadilla  
 Albee Ernest, prof C U, rooms 236 Cascadilla pl  
**ALBERGER CATERING ESTABLISHMENT THE**, Frank J Alberger mgr, catering and ice cream manufacturing, 523 E State  
 Alberger F Augustus, student, res 523 E State

*Isaac LaBarr* Dealer in Tobacco and Cigars. **501 N. Tioga St.**

If you have any Iron, Metal, Rubber, Rags or Paper, Drop a Postal to **ISAAC COAN** And he will Call for same. 623 W. State St. Both Phones.

**ALBERGER FRANK J**, mgr The Alberger Catering Estab-  
lishment 523 E State, h do

Albert Calvin D, prof C U, h 319 Eddy

Aldrich Fred E, clerk 206 E State, h 612 N Cayuga

Aldridge Stephen C, butler, h Wyckoff Lodge, Cornell Heights

Alexander August, h 118 McClune terrace

Alexander Durand C, res 301 W Green

Alexander Emma, widow Andrew K, res 214 Second

Alexander Francis G, carpenter, h 804 E State

Alexander Frederick, cook, rooms 505 N Albany

Alexander George N, carpenter, h 113 College ave

Alexander Katharine, res 301 W Green

Alexander May, maid 109 E Seneca

Alexander Maud A, teacher High School, res 804 E State

Alexander Norma T, teacher, res 113 College ave

Alexander Virginia W, widow Durand C, h 301 W Green

Alexis August, laborer, bds Westport

Alexis Mary, maid Ithaca City Hospital

Alger Emily L, clerk, res 304 E Railroad ave

Alger Janette L, widow Elmer L, h 304 E Railroad ave

**FIRE INSURANCE. OSBORN BLOCK,**  
**LOWEST RATES. E. S. PRESTON, 313 E. STATE ST.**

Alger Louise E, clerk 104 E State, res 304 E Railroad ave

Alhambra The, J B Herson propr, 113-115 N Aurora

Allbright Minnie E, widow William, nurse, h 322 W Seneca

Allbright Viola E, dressmaker 322 W Seneca, res do

Allen Bertha, stenographer dairy bldg C U, rooms 103 Giles

Allen Charles J, furniture 203 N Aurora, rooms do

Allen Charles L, student, res 609 Dryden road

Allen Eleanor F, widow Arthur H, rooms 209 Williams

Allen Elmer, carpenter, bds 810 N Cayuga

Allen Ellsworth E, pianos 138 W State, bds 318 N Tioga

Allen Eva M, stenographer, res 609 Dryden road

**ALLEN FAY E**, milk dealer 412 N Geneva, h do

Allen Garaphelia C, res 423 N Geneva

Allen George T, musician, h 107 S Cayuga

Allen John, painter, h 519 E State

Allen John H, janitor, h 409 Madison

Allen Margaret, widow J Wesley, h 715 W Green

Allen Margaret M, teacher, res 609 Dryden road

Allen Mary L, student, res 609 Dryden road

Allen Myron, bds 816 N Tioga

Allen Rachel J, widow Thomas N, res 409 Madison

**It is not possible for any but Thoroughly Screened  
Coal to leave the yards of the Ithaca Fuel Supply Co.**

*Plumbing and Plumbing Repairs, P. M. Donohue, 207 N. Aurora St.*

*Real Estate and Insurance, Georgia & Southworth, 156 E. State St.*

Padded Sides, Curtain Covers, Morocco, Sheep and Cloth Bindings at F. GEORGE REED'S.

Allen Robert, saddler, h 609 Dryden road  
 Allen S Jane, rooms 511 N Cayuga  
 Allen Sarah M, widow William S, h 423 N Geneva  
 Allen Thomas R, chain worker, h 418 S Geneva  
 Allen Walter W, h 715 W Green  
 Allen William E, gun worker, h Hudson bey limits  
 Allen William H, barber, bds 201 Cleveland ave  
 Allexandroni Ersilio, clerk 105 S Aurora, bds 104 Allen  
**ALMY BRADFORD**, lawyer 10 Savings Bank bldg, h 410  
 N Cayuga [107 do

**ALPERT ABRAHAM**, (Alpert & Blostein) 402 Third, h

**Tompkins County Co-Operative Fire Insurance Co., Osborn Block**

Alpert Elizabeth, widow Elia, res 107 Third  
 Alpert Jennie, res 107 Third  
 Alpert Nathaniel, student, res 107 Third  
**ALPERT & BLOSTEIN**, (A Alpert and H Blostein) proprs  
 Ithaca Junk Co 402 Third (See adv)  
 Alpha Chi Rho House, 523 E Buffalo  
 Alpha Delta Phi House, 777 Stewart ave  
 Alpha Tau Omega Lodge, 625 University ave  
 Alpha Zeta House, 32 Thurston ave, Cornell Heights

# ALPERT & BLOSTEIN,

PROPRIETORS

## The Ithaca Junk Co.

Pay the highest Market Prices for

**OLD IRON, COPPER, BRASS, RAGS,  
BOTTLES, BOOKS, &c.**

We attend to our calls promptly. Office cor. Third and Hancock Streets. Warehouse and Iron Yards in the building formerly occupied by the Mutual Glass Works.

Both Telephones.

Ithaca, N. Y.

**HARTFORD BICYCLE TIRES are TIRES of QUALITY.**

CUMMINGS & MARTIN, 105 E. Green St.

W. T. Kellogg, JEWELER AND OPTOMETRIST, 522 W. State St.



Ask about our Cheap Convertible Term Policy that can be changed to any form of Endowment later. **Stevens & Morgan,** Gen<sup>l</sup> Agts.

48

ITHACA CITY DIRECTORY

Altshuler Morris, junk buyer, rooms 602 Hancock  
Altshuler Samuel, tailor, house 130 University ave  
**AMERICAN EXPRESS CO,** J W Bishop agt, 115 N Aurora  
Ames Frank W, printer 117 S Tioga, h 207 S Titus ave  
Anastosopoulos Peter N, clerk 104 E State, bds 217 do  
Anderson, Clarence E, linotype opr 125 W State, rooms 110  
Monroe

Anderson Coley A, clerk 114 N Aurora, bds 429 N Geneva  
Anderson Ida, housemaid, h 411 N Albany  
Anderson Jesse, waiter 1½ Central ave.  
Anderson Lawrence H, driver 111 S Cayuga, bds 225 S Cayuga  
Andreassen Jens M, (Andreassen & Meyer), 130 E Green,  
res 124 Esty [manufrs 130 E Green  
Andreassen & Meyer, (J M Andreassen and H Meyer) cigar  
Andrew Charlotte, widow Henry, res 505 S Cayuga  
Andrew Charlotte I, laundress, res 505 S Cayuga  
Andrew Rosa M, laundress, res 505 S Cayuga  
Andrew William J, laborer, h 505 S Cayuga  
Andrews Arthur L, instructor C U, h 112 Sears  
Andrews Edith, maid 118 Eddy

**Turning and Scroll Sawing, Driscoll Bros. & Co.**

Andrews Eugene P, instructor C U, h outside city  
**ANDREWS HARRY I,** physician and surgeon, 112 E Seneca,  
h do; office hours 8 to 10 a m, 2 to 4 and 7 to 8 p m  
Andrews Ida, 68 Thurston ave, Cornell Heights  
Andrews Minnie Mills Mrs, toilet parlors 107 S Cayuga, rooms  
McKinney bldg

Andrus Florence S, res 138 Prospect [N Geneva  
Andrus Frederica stenographer 3 Savings Bank bldg, res 316  
Andrus Katherin  C, h 316 N Geneva  
Andrus Minnie T, music teacher 316 N Geneva, res do  
**ANDRUS WILLIAM,** (Andrus & Church) 143 E State, h  
138 Prospect

**ANDRUS & CHURCH,** (Wm Andrus and Wm A Church)  
booksellers, stationers, printers and bookbinders, 143  
E State

**ANNEX CAFE THE,** J J Knight propr, 220 E State  
Anthony Edward C, mason, h 717 N Tioga  
Anthony Jane E, widow John, res 135 Linn  
Apgar Alethea S, widow George W, h 327 S Albany  
Apgar Clara S, teacher High School, res 327 S Albany  
Apgar Emma E, widow Walter, h 209 Williams

**Kohm & Brunne,** Successors to B. F. McCORMICK, **Merchant Tailors.**

If You Wish a First-class Sidewalk call J. L. ROHRER, Ithaca Phone 431-Y.

REAL ESTATE. RENTS COLLECTED. } **ARTHUR G. ADAMS, 4 Bates Block, Ithaca, N. Y.** { NOTARY PUBLIC. COLLECTION AGENCY.

Your Friends have an ITHACA TELEPHONE, why not You?

Apgar Marion, res 209 Williams  
 Apgar Robert, student, res 209 Williams  
 Arber Albert, chef The Ithaca Hotel  
 Armory, Central ave, Campus  
 Ardell Elizabeth, maid 512 E State  
 Armstrong Ethel C, nurse Ithaca City Hospital  
 Arnold Charles, teamster, bds Conley Hotel  
 Arnold Della, h 101 W Clinton [Seneca  
 Arnold Mary L, principal West Hill School, rooms 410 W  
**ARTIL PUBLISHING CO**, D M DeBard and O D Von  
 Engeln mgrs, 405 Eddy  
 Ashdown A Bell, clerk 155 E State, res 112 Farm  
 Ashdown Fred J, clerk 138 E State, res 112 Farm  
 Ashdown James, machinist, h 112 Farm  
 Ashley Anna E, clerk 134 E State, res 411 W Mill  
 Ashley Susie E, h 141 Linn  
 Ashton Lucy H, stenographer, h 302 W Buffalo  
 Ashton Margaret E, teacher High School, h 302 W Buffalo  
**ASSOCIATED GAS AND ELECTRIC CO**, Wm T Morris  
 pres, T W Summers genl mgr, 123 S Cayuga

Fire, Rent, Accident and Plate Glass Insurance.

**L. E. PATTERSON,**

115 East State Street

Atchison G Kirby, clerk 108 N Aurora, h 316 E Seneca  
 Atkins Amelia V, widow William, h 214 Stewart ave  
 Atkins Clara M, student, res 214 Stewart ave  
 Atkins Mildred M; res 214 Stewart ave  
 Atkins William L F, student, res 214 Stewart ave  
 Atkinson Anna L; stamp clerk post office, res 208 E Buffalo  
**ATKINSON EARL E**, (Atkinson & Mitchell) 122 S Tioga,  
 rooms 208 E Buffalo [Heights  
 Atkinson George F, prof C U, h Ridgewood road, Cornell  
**ATKINSON & MITCHELL**, (E E Atkinson and B R Mitch-  
 ell) proprs Ithaca Chronicle and Democrat, 122 S Tioga  
 (See adv p 50)  
 Attenborough George T, blacksmith, rooms 102 E State  
 Atwater Agnes C, h 308 W Seneca  
 Atwater Anna M, stenographer, res 110 Lake ave  
 Atwater Charles H, collector 123 S Cayuga, h 119 Prospect  
 Atwater Fred, clerk 117 E State, h 110 Lake ave  
 Atwater Fred B, clerk 120 E State, h 118 E Green  
**ATWATER FRED H**, grocer 117 E State and 320 W State,  
 h 321 N Geneva  
 Atwater Freida B, res 118 E Green

**Concrete Building Blocks, Fancy and Ornamental, any color.**  
**The O. F. Bovier Concrete Works, 538-540 W. State St.** Telephone.

Second-Hand Pipe, Rods, Bolts, Nuts, etc., ISAAC COAN, 623-625 W. State St. Both Phones

FOR SALE BY

P. M. Donohue, Heating Engineer, Steam and Hot Water a Specialty, 207 N. Aurora St.

**JARDINIÈRES at the BOOL FLORAL CO., 215 E. State St.**

50

ITHACA CITY DIRECTORY

Atwater Julia, widow Stephen, res 118 E Green  
Atwater Lucy T, res 108 W Seneca  
Atwater Minnie C, bds 116 Spring  
Atwell Harry L, machinist, res 516 N Tioga  
Atwell William H, laundryman, h 516 N Tioga  
Atwood Laura E, h 402 W Buffalo  
Auble Flora E, widow Andrew J, h 208 Esty  
Auble George J, chain worker, res 208 Esty  
Auble Louise, cashier 117 E State, rooms 109 Utica

**The Peirce Coal Co.,** Coal and Wood. Lessees of D. L. & W. R. R. Co.'s Retail Yard. 702 West State and 213 East State Sts.

Auble Wakeman R, clerk 308 Stewart ave, bds 124 Catherine  
Auble Willmon, laborer, h 113 N Corn  
Ault Freeman G, painter 620 N Tioga, h do  
Ault Herbert L, tinner 103 E State, h 402 Utica  
Aumock George L, foreman job dept Ithaca Journal 125 W State, h 424 W Mill

**AUSTEN WILLARD,** asst librarian in charge of reference dept C U Central ave, h Ambleside, University pl  
Austin Claude W, clerk 151 E State, rooms 413 do

**THE ITHACA CHRONICLE**

ITHACA, NEW YORK

A weekly newspaper devoted to the best interests of Ithaca and Tompkins County

**JOB PRINTING OF EVERY DESCRIPTION**

Nothing too Large or too Small for Us to Handle and SATISFACTION GUARANTEED in All Cases.

**ATKINSON & MITCHELL, Printers.**

BOTH TELEPHONES

122 S. TIOGA STREET

**Give THE ITHACA FUEL SUPPLY CO. a Trial Order and you will always be their customer.**

*Insure your Property with Georgia & Southworth, 156 E. State St.*

**The B & B Clothing Store, Baxter & Burris, 150 E. State St.**

Austin Frank R, machinist, h 219 Spencer

**AUTOMOBILE GARAGE AND REPAIR SHOP** at McClune's, 206 S Cayuga

**AUTOPHONE COMPANY THE,** H A St John pres, H M Hibbard treas, Calendar Clock Co bldg

Avery Lenna E, widow Alfred, cook 625 University ave

Ayers Alden W, engineer D L, & W R R, h 409 W Mill

Ayers Elizabeth (Mrs James), laundress, h 220 Linn

Ayers Ida M, clerk 155 E State, bds 220 Linn

Ayers Nettie Mrs, cook, rooms 209 Dryden road

Ayres Clinton, gardener, h 716 W Green

**BABCOCK CHARLES,** emeritus prof of architecture C U, h Sage ave

Babcock George W, h 507 W Buffalo

Babcock George W, hairdresser, h 318 W Seneca

Babcock Martha J, housemaid, res 318 W Seneca

**BABCOCK W FAY,** (Kelly & Babcock) 147 E State, h 222 N Aurora

Babcock Wilbur J, laborer, res 318 W Seneca

**TOMPKINS COUNTY CO-OPERATIVE FIRE INSURANCE CO.**  
Osborn Block.

Bachelor Herbert M, laborer, h 304 Hancock

Bachelor Otis, carpenter, h 122 Catherine

Bachelor see Batchelor

Bachna Martin, blacksmith, 633 W Seneca, h 302 Brindley

Bachna Mary, maid The Ithaca Hotel

Bachna Stephen, blacksmith 633 W Seneca, res 302 Brindley

Bacome Bert, chef 103 McGraw pl

Bacon Charles, teamster, h 313 Center

Bacon Clarence, tinner 206 E State, h Hudson, bey limits

Bacon Fred, lather, h 125 Cleveland ave

Bacon M Penfield, h 108 Farm

Badger Constance, res 230 Pleasant

Badger Margaret, res 230 Pleasant

Badger Minnie S, widow Theodore, h 230 Pleasant

Bagley Austin, h 622 Cascadilla

Bagley Lyman S, carpenter, h 706 Cascadilla

Bagley Mary Mrs, domestic 209 College ave

Bahan Michael, cigar maker, bds Conley Hotel

Bahan William, cigar maker, bds Conley Hotel

Bailey Adeline G, res 614 N Tioga

Bailey Carl G, asst engineer 125 W State, h do

**SPECIAL HAND-MADE FURNITURE,--E. G. SNOW,**  
109 South Titus Ave.

Gas and Gasoline Engines,  
Portable, Marine and Stationary,  
For Sale at  
**McCLUNE'S,** 206 South  
Cayuga St.

All Kinds of Blank Books Ruled and Bound to Pattern at F. GEORGE REED'S.

Best Grades of Anthracite and Bituminous Coal Leary Coal Co.'s, 628-630 W. Seneca St.  
ALWAYS ON HAND AT

Buy a Nineteen  
Payment in the

**Home Life Ins. Co.,**

**STEVENS & MORGAN,**  
General Agents, 220 East State St.

52

ITHACA CITY DIRECTORY

Bailey Caroline S, widow Cyrus, res 710 N Cayuga [ave  
Bailey Clarence W, press feeder 125 W State, res 513 Willow  
Bailey Clayton, laborer 701 Hector, bds do  
Bailey Edwin F, stationary engineer, h 421 S Geneva  
Bailey Emmett R, varnisher, res 513 Willow ave  
Bailey George, farmer, h 113 Quarry  
Bailey George, porter 225 E State, h 305 S Plain  
Bailey George I, yardman, h 614 N Tioga [since canvass  
Bailey Gertrude T, widow Rev Jehial H, 214 S Albany; died  
Bailey Hazel K, stenographer, res 311 E Railroad ave  
Bailey Homer A, farmer, h Humboldt bey limits  
Bailey James P, clerk, res 113 Quarry  
Bailey Jane, widow Henry, h 312 S Plain  
Bailey John H, machinist, h 710 N Cayuga  
Bailey Joseph L, cigar maker, res 217 Park pl  
**BAILEY LIBERTY H**, director New York State College of  
Agriculture, dean of the faculty and prof rural economy  
C U, h 103 Sage pl  
Bailey Mary A, widow G LeRoy, laundress, h 217 Park pl  
Bailey Nelson R, printer 126 S Tioga, res 421 S Geneva

**Lime and Cement, DRISCOLL BROS. & CO.**

Bailey Phebe M, widow Walter R, h 513 Willow ave  
Bailey Susie M, res 513 Willow ave  
Baker Albert, h 220 S Geneva  
Baker Augustus M, driver, h 415 Hudson  
Baker Bert A, laborer, res 415 Hudson  
**BAKER BERT T**, lawyer 11-12 Library bldg 113 N Tioga,  
h 217 Prospect  
Baker Charles R, sales mgr 126 Farm, h 106 Queen  
Baker Cora E, teacher, res 519 N Aurora  
Baker Ernest E, stationary engineer, res 415 Hudson  
**BAKER EUGENE**, physician and surgeon 108 W Seneca,  
h do; office hours 8 to 9 a m, 2 to 4 and 7 to 8 p m  
Baker Frank, cabinet maker, bds 117 Fayette  
Baker Frank, carpenter, bds 605 Willow ave  
Baker Fred, carpenter, h 218 S Meadow  
Baker Fred W, driver, h 422 W Seneca  
**BAKER GEORGE H**, (Baker & Smith) meat market 128 S  
Cayuga, h 310 N Tioga  
Baker George M, carpenter, h 330 W State  
Baker George W, machinist, h 519 N Aurora  
Baker Henry W, painter, res 102 Hancock

**Go to W. L. JENKS for an Estimate Before you Build.**  
306 WEST SENECA ST.

AMERICAN ASSETS \$13,212,749  
LOSSES PAID IN 1908 \$3,916,868

The Liverpool & London & Globe  
FIRE INSURANCE COMPANY.

ARTHUR G. ADAMS, Agent,  
4 Bates Block, Ithaca, N. Y.

No Home Complete Without Ithaca Telephones. Only \$1.25 per Month.

H. J. Bool Co., <sup>130 East State St.</sup> Parlor Goods and Upholstery

- Baker James A, farmer, h 701 Hector  
**BAKER JAMES L**, lawyer 11-12 Library bldg 113 N Tioga, h 115 Hudson  
 Baker James W, clerk, bds 112 Hudson  
 Baker John B, carpenter, h 113 Park pl  
 Baker Lillian M (Mrs C R), dressmaker 106 Queen, res do  
 Baker Lucy E, res 113 DeWitt pl  
 Baker Margaret J, h 322 E State  
 Baker Marguerite, res 701 Hector  
 Baker Mary D, widow Jesse, h 323 W Seneca  
 Baker Norma R, maid 502 Utica  
 Baker Olin M, blacksmith 127 E Green, h 327 W Mill  
 Baker Sarah R, widow George W, h 408 N Geneva  
 Baker Susan C, h 530 E State  
 Baker Warren A, carriage painter, h 102 Hancock  
**BAKER WILL P**, groceries and notions 527 N Aurora, h 119 Farm [res 225 S Geneva  
 Baker William H, special deputy county clerk 106 N Tioga,  
 Baker William K, driver, h 714 W Clinton  
 Baker Zelia E, widow Anthony, res 102 Hancock

Sickness and Accident Insurance, **L. E Patterson**, 115 E. State St.

**BAKER & SMITH**, (G H Baker and C A Smith) coal and wood 801-803 W Seneca

- Balcom Eva M, music teacher, bds 109 Orchard  
 Baldini Agostino, laborer, h 528 W Clinton  
 Baldini Angelo, laborer, h 104 Allen  
 Baldini Luigi, (Speno & Baldini) 628 W State, bds do  
 Baldwin Albert P, coachman, bds 224 Cliff

**BALDWIN CLARK N**, funeral director and embalmer, 119 N Aurora, h 421 do

- Baldwin Claude A, clerk 304 E State, h 214 Prospect  
 Baldwin Delbert R, janitor, h 321 Mitchell  
 Baldwin Eva M, res 321 Mitchell [rora

**BALDWIN HARRY C**, lawyer 120 E State, res 434 N Au-

- Baldwin Lester H, painter, h 108 Cleveland ave  
 Baldwin Olin J, carpenter, h 307 E Marshall  
 Baldwin Ray D, carpenter, h 407 W Green  
 Baldwin Riena A, student, bds 336 E State  
 Baldwin Ruth B, widow John G, res 307 E Marshall  
 Baldwin Susie G, widow Cornelius R, h 824 Cliff  
 Balhusi Joseph, laborer, h 120 Fifth  
 Balic Andrew, laborer, h 108 Allen

**CHOICE GROCERIES AND PROVISIONS** **Isaac LaBarr's**, 501 N. TIOGA ST. Both Phones.

Second-hand FURNITURE, STOVES, CLOTHES, SHOES AND BOOKS BOUGHT AND SOLD BY Isaac Coan, 623-625 W. STATE STREET, BOTH PHONES.

High Grade Plumbing Work done by P. M. Donohue, 207 N. Aurora St.

Houses For Rent and Sale, GEORGIA & SOUTHWORTH, 156 E. State St.

Ball Anna E, deputy county clerk 106 N Tioga, h 221 Prospect  
Ballou Leroy C, painter 436 N Tioga, h do  
Bancroft Wilder D, prof C U, h 7 East ave  
Bandhu Fraternity, 126 Highland ave, Cornell Heights  
Banfield Charles, waiter 318 College ave, rooms 205 Dryden road  
Banfield Clarence, plumber, res 423 E Railroad ave  
Banfield Grace, opr 111 E State, res 218 S Cayuga  
Banfield Harold E, baker 110 N Corn, res 611 W Seneca  
Banfield Harry L, laborer, h 423 E Railroad ave  
Banfield Rodney E, res 609½ N Cayuga  
Banfield William, laborer, h 218 S Cayuga  
Bangs D Le Neta, bookkeeper, res 117 E Seneca  
Bangs Edwin M, physician, h 105 Highland pl  
Bangs Frank, apprentice, res 117 E Seneca  
Bangs George W, chauffeur, h 313 First  
Bangs John F, laborer, h 117 E Seneca  
Banks Louise, res 420 E State  
**BANKS MORRIS T**, sec Treman, King & Co 101-105 E  
State, h 420 do

**DON'T GO WITHOUT FIRE INSURANCE WHEN YOU CAN GET IT  
AT LOW RATES OF E. S. PRESTON, AGENT, OSBORN BLOCK.**

**BANKS S EDWIN**, lawyer, vice-pres Ithaca Realty Co 9-10  
Library bldg, h 412 University ave

**BARBER CHARLES G**, sign painter 152 E State, h do

Barber Emmet D, clerk 103 E State, h 330 S Cayuga

**BARBER GEORGE S**, livery, hitching, boarding and sale  
stables 122-126 E Green, h 113 do

Barber Luella G, widow Lyman A, res 434 N Geneva

Barber Lulu B, teacher, res 434 N Geneva [Green

Barber Perry M, (Love & Barber) 119 W State, res 508 W

Barden Abbie S, widow John, h 423 E Seneca

Barden George E, machinist, h 318 Pleasant

Bardwell Eliza, widow David J, h 206 Madison

Bardwell Frank A, barber 139 E State, h 210 Linn

Bardwell Mary E, widow Robert, res 210 Linn

Barker Celia, (Mrs Myron) maid 205 Cascadilla ave

Barker Charles R, clerk 109 S Aurora, h 108 W State

Barker G Clinton, gun worker, res 208 Utica

Barker George A, carpenter, res 223 S Fulton

Barker John J, printer, h 319 Linn

Barker John N, carpenter, h 208 Utica

Barker Mary E, widow Harvey E, h 223 S Fulton

Barker Ray, bartender Hub Hotel, rooms 108 W State

Fair Dealing, and up to date method of handling Best Coal makes Satisfied  
Customers for THE ITHACA FUEL SUPPLY CO.

Magazines, Pamphlets, etc., **F. George Reed.**  
Bound in the Latest Styles.

Barker Thomas J, book binder 118 S Tioga, res 319 Linn  
 Barlow Elizabeth, widow John, res 216 Spencer  
 Barlow George H, ins agt, rooms 129 E Mill  
 Barnacle Martin, porter Senate Hotel, bds do  
 Barnard David J, gardener, h 202 S Cayuga [h 407 do  
**BARNARD FRED C**, propr Palace Laundry 323-325 Eddy,  
 Barnard Harry W, laundryman 325 Eddy, res 202 S Cayuga  
 Barnard Levi A, h 511 N Aurora  
 Barnard Mabel J, laundress, res 202 S Cayuga  
 Barnard Mary N, widow William S, res 7 South ave  
 Barnard William N, prof C U, h 7 South ave  
 Barnes Adaline, h 406 W Seneca  
 Barnes Angeline, h 406 W Seneca; died since canvass  
 Barnes Betsey O, res 328 S Geneva  
 Barnes Charity E, h 407 E Tompkins [S Geneva  
**BARNES DOW S**, (Dow S Barnes & Co) 132 E State, h 328  
**BARNES DOW S & CO**, boots and shoes, 132 E State  
 Barnes Fred Asa, prof C U, h 109 College pl  
 Barnes Hall, Sage ave, Campus  
 Barnes Harry L, cutter 317 Eddy, h 513 N Cayuga

**Tompkins County Co-Operative Fire Insurance Co., Osborn Block.**

Barnes Hattie M, student, res 105 Catherine  
 Barnes Minnie M, widow Samuel, h 105 Catherine  
 Barnes Sarah J, res 328 S Geneva  
 Barnes Stephen W, student, res 105 Catherine  
 Barnett Ida F, res 209 Pleasant  
 Barnett William H, janitor Central School, h 209 Pleasant  
 Barnum Grover C, mgr Triangle Book Shop, Sheldon Court,  
 res 109 N Aurora  
 Barnum H Estelle, widow Nathan B, h 109 N Aurora  
 Barnum Ralph B, baker, res 109 N Aurora  
 Barnum Sarah M, bookkeeper 804 W Seneca, res 109 N Aurora  
**BARON STEUBEN CO-OPERATIVE FIRE INSURANCE**  
**CO**, G M Boynton pres, C E Chapman sec and treas,  
 311-317 E State  
**BARR BROS**, (D P & F C) hardware, stoves, furnaces,  
 builders' supplies, paints, oils, &c, 127 E State  
 Barr D Preswick, student, res 101 Pleasant  
**BARR DAVID P**, (Barr Bros) 127 E State, bds 142 S Aurora  
**BARR FRED C**, (Barr Bros) 127 E State, h 101 Pleasant  
 Barra Nick, junk buyer, h 510 Madison  
 Barren Charles, candy maker, res 608 W Buffalo

**All Kinds of Bicycle and Motor Cycle Supplies.**  
**CUMMINGS & MARTIN, 105 E. GREEN ST.**

Special Attention given to Examining Children's Eyes. **W. T. Kellogg, 522 W. State St.**



Sidewalks and Heavy Concrete Work a Specialty. Ithaca Phone 431-Y. J. L. Rohrer

If you want Life Insurance that insures consult

Stevens & Morgan,

General Agts. Home Life Ins. Co. of New York

- Barren George, section hand, h 608 W Buffalo
- Barren Joseph, baker, res 608 W Buffalo
- Barrett George, bell boy, Clinton House
- Barrett Harriet F, (Mrs Howard) res 315 Willow ave
- Barrett James T, student, rooms 107 Linn
- Barrett Sally A, widow Beman, bds 310 Monroe
- Barron Arthur, student, res 119 College ave
- Barron Florence, engineer, h 223 Cliff
- Barron Milton M, farmer, h 119 College ave
- Barron Onley, res 119 College ave
- Barry David J, res 301 S Corn
- Barry Edward, lineman, bds 301 S Corn
- Barry James A, machinist, rooms 228 S Cayuga
- BARRY JAMES H**, supt Remington Salt Co, Renwick, rooms 128 E Seneca
- Barry Margaret, bookkeeper, res 814 N Cayuga
- Barry Michael J, pipe fitter, h 421 W Mill
- Barry Minnie, maid Terrace Hill
- Barry Nellie, maid 449 N Aurora
- Barry Patrick, farmer, h 814 N Cayuga

**Lumber, Lath and Shingles, Driscoll Bros. & Co.**

- Barry William, collector, rooms 622 Cascadilla
- Barry see Berry
- Barstow Marjorie L, student, res 138 Giles
- Barstow Mary L, widow Edward, artist, 138 Giles, h do
- Barte Susie, cook 519 Stewart ave
- Bartholomew Bert, signal man, res 909 N Tioga
- Bartholomew Frank C, clerk 117 E State, h 909 N Tioga
- Bartholomew Jessie M, teacher Central School, rooms 221 Prospect [Prospect
- Bartholomew Leila M, teacher Central School, rooms 221
- Bartlett George, gun worker, rooms 235 S Cayuga
- Barto Andrew, contractor 718 N Cayuga, h do
- Barto Freda, clerk 133 E State, res 205 Utica
- Barto James E, driver 109 W State, h 140 do [State
- Barto Mary S (Mrs J E), dressmaker 151 E State, res 140 W
- Barto Norman C, gardener, h 205 Utica
- Barton Belle L, widow Fred, h 229 S Geneva
- BARTON GEORGE A**, furniture, carpets, sewing machines and picture framing 103 W State, h 308 Utica (See adv p 57)
- Barton Lillian, waitress Conley Hotel

**Kohm & Brunne, { Successors to B. F. McCormick, } Merchant Tailors.**

GROSS ASSETS.....\$5,874,016 }  
LOSSES PAID IN 1908 \$1,502,703 }

Germania Fire Insurance Company.

{ ARTHUR G. ADAMS, Agent,  
4 Bates Block, Ithaca, N. Y. }

Bastedo Frank, laborer, bds 112 Spencer pl  
 Bastedo John, engineer 115 E Clinton, h 112 Spencer pl  
 Batchelor Charles E, laundryman, h 106 Second  
 Bates Alfred K Rev, h 232 S Geneva  
 Bates Alfred K jr, student, res 232 S Geneva  
 Bates Anna M, res 107 Giles  
 Bates Charles W, carpenter, h 415 N Tioga  
 Bates Edward S, student, res 232 S Geneva  
 Bates Erskine S, physician 521 E State, h do

Losses and Claims  
Promptly Paid.

**L. E. PATTERSON, Insurance of All Kinds**

Bates Frances A, widow Jacob, h 305 Hudson,  
 Bates Flora M, widow Rufus, h 107 Giles  
 Bates Frank A, presser 411 E State, rooms 110 W Seneca  
 Bates Frederick E, h 310 N Aurora  
 Bates Janet M, res 232 S Geneva  
 Bates Leland E, clerk, res 415 N Tioga  
 Bates Mary S, student, res 232 S Geneva  
 Bates Naomi H, student, res 232 S Geneva  
 Bates Wilbur J, milk dealer, h 311 Hudson  
 Batterson Howard J, letter carrier, h 528 W Buffalo [Seneca

**G. A. BARTON,**

DEALER IN

**Furniture, Carpets, Sewing  
 Machines, Window Shades,**

&c., &c.

ATTENTION GIVEN TO REPAIRING,  
 PICTURE FRAMING, UPHOLSTERING.

Both Phones.

103 West State St.

CONCRETE BRICKS, SILLS, LINTELS, WATER TABLES, DRAIN TILING, ETC.  
 The O. F. Bovier Concrete Works, 538-540 W. State St. Telephone.

Subscribe for the Ithaca Telephone in Your Home. Only 4<sup>1</sup>/<sub>9</sub> c. per day.

Girders, Shaffing, Rails, Bar Iron and Steel Rods of all kinds for sale by **ISAAC COAN,** 623-625 WEST STATE STREET. BOTH PHONES.

A New Supply of Plumbing Goods always to be found at Donohue's, 207 N. Aurora St.

Floral Decorations at the Bool Floral Co., 215 E. State St.

58

ITHACA CITY DIRECTORY

Batterson Joseph A, clerk L V R R freight office, h 516 W  
Batyanyi Elizabeth, housemaid, res 221 Cliff  
Bauer Rose M, ladies' tailoring 310 E Seneca, h do  
**BAXTER EDWARD B**, (Baxter & Burris) 150 E State,  
h 140 Giles  
**BAXTER & BURRIS**, (E B Baxter and G A Burris) cloth-  
ing and furnishings 150 E State (See adv top lines)  
Baylor Lewis F, teamster, h 217 Pearl  
Beach Agnes L, res 623 W Green

**The Peirce Coal Co.**, *702 West State and 213 East State Sts.* Coal and Wood

Beach Benjamin C, clerk 912 W State, res 602 Hector  
Beach Carl J, checker L V R R freight station, res 527 W Green  
Beach Charles F, clerk, h 527 W Green  
**BEACH CHARLES H**, (Beach & Hutchinson) 302-320  
Auburn, h 111 W Railroad ave  
Beach George M, driver I F D, h 623 W Green  
Beach Mary J, widow George W, res 623 W Green [dilla pl  
Beach Sarah A, stenographer 1 Morrill Hall, bds 154 Casca-  
**BEACH & HUTCHINSON**, (C H Beach and R E Hutchin-  
son) coal and wood 302-320 Auburn and 222 E State  
(See adv)

**BEACH & HUTCHINSON**

302-320 Auburn Street,

**Anthracite and Bituminous Coal.**

**D. L. & W. SCRANTON COAL.**

**WOOD OF ALL KINDS**

Both Phones. Prompt Delivery by Competent Men.

The Ithaca Fuel Supply Co. will furnish all kinds Wood

ANY LENGTH. HICKORY FOR FIREPLACES A SPECIALTY.

WE COLLECT RENTS AND LOOK AFTER PROPERTY. Georgia & Southworth, 156 East State Street.

**Baxter & Burris,** <sup>150 East State St.</sup> **Leading One Price Clothiers**

ITHACA CITY DIRECTORY

59

- Beadle Caroline, widow Asa, h 322 E Seneca  
Beadle Louise E, widow George, h 211 Esty  
Beam William J, carpenter, h 508 W Mill  
**BEAMAN CHARLES P,** physician and surgeon 224 E State  
opp Ithaca Hotel, phones Bell 184-B, Ithaca 184, h 506  
E Seneca, phones Bell 406, Ithaca 70; office hours 9 to  
10 a m, 2 to 4 and 7 to 8 p m  
Bean Belle, waitress Clinton House  
Bean Vine, fireman, h 633 W Green [Cascadilla  
Beardsell Albert J, clerk D L & W R R freight office, res 409  
Beardsell Charles W, ticket clerk 300 E State, res 409 Casca-  
dilla  
Beardsell Joshua C, bookkeeper, h 409 Cascadilla  
Beardslee Fred J, cabinet maker, h 606 N Cayuga  
Beardslee Louise, dressmaker, rooms 303 E Mill  
Beardsley Hannah E, maid 132 E Mill  
Beardsley Herman, res r 326 S Cayuga  
Beardsley John D, awnings 5 Bates bldg, h do  
Beardsley Mary B, widow George F. h 401 S Aurora

**Tompkins County Co-Operative Fire Insurance Co., Osborn Block**

- Beattie Della M, milliner 139 E State, rooms 101 Giles  
Beaty May, clerk 155 E State, rooms 108 N Plain  
Beckley Ruth L, dressmaker, h 109 N Plain  
Beckman Elbert W, painter, h 712 N Cayuga  
Beckman Frances, maid 47 Fall Creek Drive, Cornell Heights  
Beckwith Mary H, rooms 417 E Buffalo [Cornell Heights  
Bedell Frederick, prof C U, h Wyckoff ave cor Highland ave,  
Bedford, Wallace C, laborer, h 320 N Meadow  
Beers Celia H, widow Andrew J, h 408 Stewart ave  
Beers Helen A (Mrs Harry), millinery 128 E Seneca, h do  
Beers Mittie L, h 607 S Aurora  
Belfrie Delia, cook 623 University ave  
Belknap Almira A, dressmaker 416 N Cayuga, res do  
Belknap E Gertrude, res 416 N Cayuga  
Belknap Horace D, h 416 N Cayuga  
Belknap Lovilla M, shirt maker 142 E State, res 416 N Cayuga  
Bell Barney, shoemaker 714 E Buffalo, res 119 Third  
Bell Charles F, laborer, bds 505 S Cayuga  
Bell Ernest W, painter, h 118 W Mill  
Bell Esther N (Mrs Philetus), h 915 E State  
Bell Frances, student, res 915 E State  
Bell Frank, laborer, h 119 Third

**SPECIAL HAND-MADE FURNITURE,--E. G. SNOW,  
109 South Titus Ave.**

Special Attention Given to Bicycle Repairs at F. A. McCCLUNE'S, 206 SOUTH CAYUGA ST.

F. George Reed's University Book Bindery, 118 to 124 S. Tioga St.

Bell Fred L, teamster, h Dryden road bey limits  
 Bell Herbert P, student, res 915 E State  
 Bell Mary E, widow Humphrey, h 127 Quarry  
 Bell William E, janitor, h 519 W Clinton  
 Bellis Court, conductor street ry, h 222 S Cayuga  
 Bellis Leslie C, electrician, res 222 S Cayuga  
 Bellis William D, carpenter, h 421 Utica [Heights  
 Bells Walter J, golf professional, h Highland ave, Cayuga  
 Bement Alice A Mrs, matron The Home, 514 S Aurora  
 Bement Ariel T, student, res 516 E Buffalo  
 Bement Edward, bookkeeper 142 E State, res 516 E Buffalo  
**BEMENT LOUIS C**, propr The Toggery Shops 142 E State  
 and 404 Eddy, h 516 E Buffalo  
 Bement Norma Maie, student, res 516 E Buffalo  
 Bement Phoebe M, widow Lewis H, res 516 E Buffalo  
 Benedict Charles H, tailor 409 W State, h 210 S Albany  
 Benedict Henry B, asst supt 302 E State, h 210 Utica  
 Benedict S Marie, actress, res 902 N Tioga  
 Benedict Sarah M, widow Granville H, res 402 University ave

**DRISCOLL BROS. & CO., General Contractors**

Benedict Walter H, cleaner and presser 316½ College ave, h  
 311 Linn [Cayuga  
 Benham Mary E, stenographer 311-317 E State, res 517 N  
**BENJAMIN CHARLES M**, (Priest & Benjamin) 123 W  
 State, h 314 N Geneva  
 Benjamin Harrison H, janitor 155-159 E State, h 130 Sears  
 Benjamin Robert, laborer, bds 324 Falls  
 Bennett Arthur N, slater, h off Hudson n D L & W R R  
 Bennett Charles E, prof C U, h 1 Grove pl  
 Bennett Clara, res off Hudson n D L & W R R  
 Bennett Dana, laborer, bds off Hudson n D L & W R R  
 Bennett Edward T, waiter, rooms 607 W Green  
 Bennett Ernest S, printer, res 312 Lake ave  
 Bennett Floyd L, blacksmith 919 W State, h 505 Hector  
 Bennett Frank, slater, res off Hudson n D L & W R R  
 Bennett Harold, student, res 1 Grove pl  
 Bennett Harry, slater, res off Hudson n D L & W R R  
 Bennett James G, fireman, h 307 S Plain  
 Bennett Jennie S, widow James A, res 105 Giles  
 Bennett Jerome N, chief engineer electric plant, h 305 Pleasant  
 Bennett Lawrence, res 1 Grove pl [R R  
 Bennett Louisa, widow George W, h off Hudson n D L & W

**W. L. Jenks** Makes a Specialty of Jobbing and Repairing.  
 306 WEST SENECA STREET.

GROSS ASSETS.....\$6,849,258  
 LOSSES PAID IN 1908, \$2,317,440

**COMMERCIAL UNION**  
 FIRE ASSURANCE COMPANY.

{ARTHUR G. ADAMS, Agent,  
 4 BATES BLOCK, Ithaca, N. Y.

The Cheapest Place to Buy Housefurnishings, H. J. BOOL CO.

ITHACA CITY DIRECTORY

61

Bennett Lynn W, electrician, h 117 Prospect  
 Bennett Melinda, widow Charles, res 306 S Cayuga  
 Bennett William G, painter, h Coddington road  
 Benson William E, saloon 116 S Aurora, h do  
**BENTLEY EPHRAIM J**, druggist 507 N Cayuga, h 614 do  
 Bentley Henry, laborer, h 206 Monroe [Heights  
 Bentley I Madison, prof C U, h 127 Highland road, Cornell  
 Bentley William M, carpenter, h 636 Hudson

L. E. PATTERSON, Fire Insurance, 115 E. State St.

Benton Bert J, driver, res 121 Utica [ave  
**BENTON FRANK R**, cigar manuf 101 Hudson, h 313 Willow  
 Benton Harry H, driver, h 121 Utica  
 Benton Lela M, milliner 155 E State, res 121 Utica  
 Bergen John R, com trav, h Fall Creek drive, Cornell Heights  
 Berhannan William K, janitor, h 506 W Clinton  
 Berlew Stephen K, ins agt, h 601 W State  
**BERNA GEORGE**, pres Hygeia Ice Company of Ithaca, cold  
 storage 701 W State, h 202 Prospect (See adv)  
 Berna Hans P, student, res 202 Prospect  
 Berna Tell S, student, res 202 Prospect

# Hygeia Ice Co. of Ithaca.

(Not the Ithaca Ice Co.)

ONLY DISTILLED WATER ICE  
IN OUR WAGONS OR FACTORY.

“SANITAS”

Distilled Water

Cold Storage

Factory 701 West State St.

Bell Phone 728.

Ithaca Phone 353.

Call on Isaac LaBarr

501 N. TIoga ST. for Choice Confectionery and Bake Stuffs. Both Phones.

*Ithaca Telephone Co.*

*The Largest List of Subscribers in Tompkins County.*

IF YOU HAVE ANY IRON, METAL, RUBBER, RAGS OR PAPER, DROP A POSTAL TO

**Isaac Coan,**

AND HE WILL CALL FOR SAME. 623 W. STATE ST. Both Phones.

Bernardi Charles, tailor 118 S Aurora, bds 119 Third [eva  
Bernstein Isaac K, merchant tailor 212 E State, h 433 N Gen-  
Berrells Elizabeth, res 205 College ave  
Berrells William, h 205 College ave  
Berrey Mary H, widow James W, res 219 Prospect  
Berry Agnes, cook Tompkins House  
Berry Charles, electrician, bds 509 W State  
Berry George B, cigar maker 101 Hudson, h 335 E State  
Berry Gussie B, bookkeeper, res 335 E State  
Berry James W, salesman 138 W State, rooms 109 Utica  
Berry see Barry

**BESEMER HOWARD B**, surgeon 116 E State, res 224 S  
Albany; office hours 9 to 10 a m and 2 to 4 p m

**BESEMER MARTIN**, physician and surgeon 116 E State,  
h 224 S Albany; office hours 8.30 to 9.30 a m, 1 to 4  
and 7 to 8 p m.

Bessac Elizabeth M, res 701 N Cayuga

Bessier Eugene, cigar maker, h 325 Center

Beta Theta Pi House, 17 South ave

STEAM BOILER, RENT, CREDIT AND BURGLARY INSURANCE, **E. S. PRESTON, 313 E. State St.**

Betts Alfred, gun worker, h 702 Linn

Betts Lymi, res 702 Linn

Beverly Edward, engineer, bds St Johns Hotel

Bewley Levi N, carriage maker, rooms 312 S Cayuga

Bidwell Charles O, painter, h 418 N Plain

**BIDWELL JOHN C**, variety store, confectionery, tobacco,  
notions, &c, 518 W State, h do

Bidwell Nancy (Mrs James), res 518 W State

Bierce DeAlt, teamster, h 437 Humboldt

Bierce Minnie M, widow William, res 112 Highland pl

Bigelow Edward A, painter, bds 105 E Lewis

**BIGGS CHAUNCEY P**, physician and surgeon 116 E Seneca,  
h 117 E Buffalo; office hours until 10 a m and 4 to 6 p m

Biggs Melissa P, widow Joseph H, h 114 E Seneca

Billings William T, engineer, h 310 N Albany

Bingham Flora A, bds 214 N Aurora

Bird Anna, maid Ithaca City Hospital, rooms 320 Linn

Bird see Burd

Birdsall William H, h 109 College pl

Bishop Albert, painter, h 412 Utica

Bishop Alonzo R, fireman The Ithaca Hotel

Bishop Arthur, laborer, h 248½ Humboldt

**LOYAL SOCK COAL FOR SUMMER USE, AT THE  
ITHACA FUEL SUPPLY CO.'S YARDS.**

Special Attention given to Plumbing Repairs at P. M. DONOHUE'S.  
207 NORTH AURORA STREET.

Insure your property with Georgia & Southworth, 156 E. State St.

**F. GEORGE REED'S.**  
 Padded Sides, Curtain Covers, Morocco, Sheep  
 and Cloth Bindings at

- Bishop Azel L, mason, h 617 N Cayuga  
 Bishop Clarence E, painter, h 104 Cherry  
 Bishop D Oscar, carpenter, h 617 N Cayuga [W Mill  
 Bishop Daniel V, bookkeeper Remington Salt Co, rooms 122  
 Bishop Dwight W, ins agt, h 1007 N Cayuga  
 Bishop Elizabeth A (Mrs Alonzo L), laundress, res 311 Linn  
 Bishop Ezra, engineer, res 334 Brindley  
 Bishop Frank E, fireman 217 S Cayuga, bds 908 W Green  
 Bishop Frederick, cigar maker 117 S Aurora, bds Renwick  
 Bishop George W, laborer, h 721 Cliff  
 Bishop Helen, nurse 41 East ave  
 Bishop Ira, laborer, res 413 West Port  
 Bishop James A, res 1007 N Cayuga  
 Bishop James W, meter reader, h 712 N Tioga  
**BISHOP JOHN W**, agt American Express Co 115 N Aurora,  
 rooms 501 N Cayuga  
 Bishop Mary, waitress Conley Hotel  
 Bishop Perle, molder, bds 318 S Cayuga  
 Bishop Solon P, carpenter, h 107 Fourth

**Tompkins County Co-Operative Fire Insurance Co., Osborn Block**

- Bishop Walter, carpenter, res 721 Cliff  
 Bishop William, laborer, h 334 Brindley  
 Bizzell James A, prof C U, h 108 Brandon pl  
 Black Alene E, nurse 109 Hudson, rooms do  
 Black Elmer J, lawyer, h 301 Dryden road  
 Blackman Abigail E Mrs, h 515 N Tioga  
**BLACKMAN BROS**, ( J K and C L ) grocers 102 E State  
 Blackman Caroline C, widow Judson, res 515 N Tioga  
**BLACKMAN CHARLES L**, (Blackman Bros) 102 E State,  
 h 515 N Tioga  
 Blackman Elizabeth A, widow Solomon K, res 515 N Tioga  
 Blackman Etta J Mrs, res 428 S Geneva  
**BLACKMAN JOHN K**, (Blackman Bros) 102 E State, (The  
 J C Stowell Co) 127 W State, h 406 N Cayuga  
**BLACKMER FRED H**, (Egbert & Blackmer) 414 Eddy, h  
 106 Catherine  
 Blackmer Mary A, widow Charles W, res 106 Catherine  
 Blackmer William C, h 317 W State  
**BLAIR CHARLES H**, lawyer 35 Wall, New York City, h  
 Llenroc, Cornell ave cor University ave  
 Blair Charles H jr, broker 111 Broadway, New York City, res  
 Llenroc, Cornell ave cor University ave

We are Agents for the Celebrated  
 IVER JOHNSON BICYCLES.

**Cummings & Martin**, 105 East  
 Green St.

**W. T. Kellogg,**  
 DEALER IN CLOCKS, WATCHES, JEWELRY AND OPTICAL GOODS,  
 522 WEST STATE STREET.



ESTIMATES GIVEN ON ALL KINDS OF CEMENT WORK. J. L. ROHRER, 901 N. Cayuga St. ITHACA 431-Y.

**Stevens & Morgan, Gen'l Agts. HomeLife Ins. Co.** Only General Agency in City.

**BLAIR EZRA C**, lawyer 35 Wall, New York City, res Llenroc, Cornell ave cor University ave  
 Blair John H Prof, res Llenroc, Cornell ave cor University ave  
 Blake George C, signalman, h 610 W Mill  
 Blake Hannah J, widow Thomas, h 708 W Mill  
 Blakeley Edna E, maid 810 N Tioga  
 Blakeman Wallace E, meat cutter 214 W State, h 221 S Cayuga  
 Blaker Ernest, prof C U, h 402 Oak ave  
 Blakeslee Dorothy, widow Amaziah, res 408 Utica  
 Blakeslee Frank L, plumber, h 412 N Tioga  
 Blakeslee Lottie, music teacher 408 Utica, h do  
 Blanchard Josephine S, widow Nathaniel, h 705 E Seneca  
 Blanton Smiley, instructor C U, bds Edgecliff Way, Cornell Heights  
 Blaszczyński Paul, tailor 208 E Seneca, rooms 322 N Tioga  
 Blauvelt George, laborer, h 211 Cleveland ave  
 Blauvelt Lucretia, widow Joseph, h 118 S Cayuga  
 Blauvelt Sidney L, carpenter, res 118 S Cayuga  
 Blenis Fred W, baker, h 328 Center

**Sackett Plaster Board, Driscoll Bros. & Co.**

Blevins William A, waiter The Ithaca Hotel  
 Blew John C, bookkeeper 206 E State, h 124 Linn  
 Bliven Bion, driver, bds 410 Utica  
 Bliven Clarinda H, widow Charles M, res 110 Hudson  
 Blivin Belle, widow Luther, housekeeper 202 Linden ave  
 Block Nicholas, machinist, h 119 Columbia  
**BLOOD CHARLES H**, county judge and surrogate 106 N Tioga, h 414 E Buffalo  
 Blood Stella, widow Charles F, res 414 E Buffalo  
 Bloom Catherine, res 235 Humboldt  
 Bloom Eliza, h 132 E Mill  
 Bloom Florence, widow Lewis, h 250 Humboldt  
 Bloom Leonard F, painter, house 235 Humboldt  
 Bloom see Blume  
 Blostein Fred, student, res 217 Second [Hancock  
**BLOSTEIN HENRY**, (Alpert & Blostein) 402 Third, h 407  
 Blostein Joseph, junk buyer, h 141 Linn  
 Blostein Nathan, clerk 402 Third, h 217 Second  
 Blue Front Mission, 113 W State  
 Blume Louis F, instructor C U, rooms 103 Quarry  
**BOARD OF EDUCATION OFFICE**, High School bldg, N Cayuga cor E Seneca

**Kohm & Brunne, Successors to B. F. McCormick Merchant Tailors**

Chicago Fire \$3,239,491 } Paid by Liverpool & London & Globe Ins. Co. { Baltimore Fire ..... \$1,051,543.  
 Boston Fire \$1,427,290 }  
 ARTHUR G. ADAMS, Agent. San Francisco Fire \$4,522,905.

Use the Copper Toll Lines of the Ithaca Telephone Company.

- Boardman Addie L, nurse 209 Park pl, bds do  
 Boardman Amanda M, widow Douglass, h 120 E Buffalo  
 Boardman Hall, President's ave, Campus  
 Bogardus Hilliard H, engineer, h 216 Utica  
 Bogardus Howard G, clerk 102 E State, bds 516 W Seneca  
 Bogardus Minnie L, stenographer, rooms 426 N Cayuga  
 Bogart C Bertha, stenographer, res 412 Hector  
**BOGART F J & SONS**, (F J, L J, and R I) contractors and  
 builders, lumber yard and planing mill 720 W Green  
**BOGART FRED J**, (F J Bogart & Sons) 720 W Green, h  
 412 Hector  
 Bogart Jessie, bookbinder, rooms 419½ N Cayuga  
**BOGART LORING J**, (F J Bogart & Sons) 720 W Green,  
 res 412 Hector [412 Hector  
**BOGART ROBIN I** (F J Bogart & Sons) 720 W Green, res  
 Bohotch Andrew, laborer, h 706 Cliff  
 Bohotch John, laborer, res 706 Cliff

**Insure against Tornadoes**, Also Loss of Rents by Fire **L. E. Patterson**, 115 East State St.

- Bohotch Mary E, res 706 Cliff  
 Boise J Floyd, janitor 519 Stewart ave, bds do  
 Boland Charles F, clerk Tompkins House, bds do  
 Boland Daniel J, motorman, h 317 S Cayuga  
 Boland James, laborer, h 106 E Lewis  
 Boland Margaret, widow Michael, h 108 W Lewis  
 Boland Margaret T, clerk 119 E State, res 108 W Lewis  
 Boland Sadie A, maid 608 E State  
 Bolger John F, letter carrier, h 308 W Green  
 Bolger John J, oiler, h 408 W Clinton  
 Bond Mabel, student, res 109 Sears  
 Bond Philip, foreman 134 S Aurora, h 109 Sears  
 Bool Alfred, upholsterer, h 314 W Buffalo  
**BOOL ARTHUR H**, (The Bool Floral Co) 215 E State, h  
 Dryden road bey limits (See adv top lines)  
**BOOL FLORAL CO THE**, (Arthur H Bool) florists 215 E  
 State (See adv top lines)  
 Bool Fred G, rooms 515 N Albany  
**BOOL H J CO**, H J Bool pres, P A Campbell vice-pres,  
 George Saunders sec, J C Campbell treas, furniture, wall  
 paper, window shades, art goods, picture frames and  
 cabinet makers 130-132 E State, factory at Forest Home  
 (See adv top lines)  
 Bool Henry, h Dryden road bey limits

**Concrete Building Blocks, Fancy and Ornamental, any color.**  
**The O. F. Bovier Concrete Works, 538-540 W. State St.** Telephone.

SECOND-HAND PIPE, RODS, BOLTS, NUTS, ETC., ISAAC COAN, 623 625 WEST STATE STREET. Both 'Phones.

STEAM AND HOT WATER HEATING A SPECIALTY.  
207 NORTH AURORA ST.

P. M. DONOHUE, Heating Engineer,

**CUT FLOWERS at the Bool Floral Co., 215 E. State St.**

66

ITHACA CITY DIRECTORY

**BOOL HERBERT J**, pres H J Bool Co 130 E State, h 320 S Geneva

Bool John H, student, res 314 W Buffalo

Boom Frederick, laborer, h 202 Madison

Boom William F, 311 N Meadow; died since canvass

**BOPP ADAM**, grocer 218 First, h 220 do

Bopp Adam J, clerk 218 First, res 220 do

Bopp Frank A, res 220 First

Borden Charles, horseshoer 209 S Cayuga, res 424 N Cayuga

Bossard Florence C, bookkeeper 135 E State, bds 407 N Albany

Bostwick Ada Irene, res 318 S Albany

**BOSTWICK CHARLES D**, asst treas C U 1 Morrill Hall, and barrel manuf Adams cor Fourth, h 803 E Seneca

**BOSTWICK EDWARD H**, lawyer, U S Commissioner Northern Dist of N Y 3 Savings Bank bldg N Tioga, h 402 N Geneva

Bostwick Emily D, widow Hermon V, h 705 E Buffalo

Bostwick Fanny A, widow William L, h 318 S Albany

Bostwick Sarah I, res 705 E Buffalo

**The Peirce Coal Co.,** *702 West State and 213 East State Sts.* Coal and Wood

Bott Mary W, widow Arthur, res 7 East ave

Bouck Charles, res 508 Stewart ave

**BOUTON CLINTON D**, (The J C Stowell Co) 127 W State, h 413 N Cayuga

Bouton Harriet J, widow Truman A, h 416 S Aurora

Bovier George I, conductor street ry, h 431 W State

Bovier Martha, widow John C, res 501 N Tioga

**BOVIER OSCAR F**, concrete work, building blocks, bricks, &c, 538-540 W State and 101-109 N Meadow, h 501 N Tioga (See adv bottom lines)

Bow Egbert, waiter The Ithaca Hotel, rooms 533 W Green

Bower Bessie I, stenographer, res 512 W Seneca

Bower Carl W, clerk 117 E State, h 1102 N Cayuga

Bower Charles W, sign painter, bds Sandy Patten pl

Bower Charlotte, maid 425 N Cayuga

Bower Edith A, res 602 N Cayuga

Bower Everett, clerk, rooms 325 S Cayuga

Bower Fayette, h 114 York

Bower Helen M, widow Harrison, h 512 W Seneca

Bower Jane C, clerk 134 E State, res 220 N Plain

Bower Lois M, res 108 Sears

Bower Susanna I, widow Thomas, h 108 Sears

**Prompt Delivery by Experienced Men is one of the rules of The Ithaca Fuel Supply Co.**

Real Estate and Insurance, Georgia & Southworth, 156 E. State St.

Bowers Bertha N Mrs, dressmaker 412 W Seneca, h do  
 Bowers Emma, res 408 Hector  
 Bowes James, res 628 W Green  
 Bowsby George A, laborer, h 237 Cliff  
 Bowsby M Elizabeth, widow Charles, h r 239 Cliff  
 Bowman Catherine, bds 502 Madison  
 Bowman Cynthia, widow Orange R, res 826 N Aurora  
 Bowman Florence, housemaid, bds 113 W State  
 Bowman Frank E, teamster, h 826 N Aurora  
 Bowman George, laborer, bds 704 Linn  
 Bowman John, tinner 127 E State, h 1002 N Tioga  
 Boxheimer Clara L, student, res 228 Linden Ave  
 Boxheimer John E, musician, h 228 Linden ave  
 Boyce Harry D, coachman, h 109 Sage pl  
 Boyce Stephen M, carpenter, h 217 Hector  
 Boyce Violet, maid 519 W Buffalo  
 Boyer Anna, waitress Tompkins House  
 Boyer Lena R, widow William H, res 112 Cascadilla  
 Boyles Lottie M Mrs, res 413 N Geneva [h do  
**BOYNE EDWIN**, (McDonald & Boyne) 116-118 N Cayuga,

**Tompkins County Co-Operative Fire Insurance Co.,** <sup>Osborn Block.</sup>

Boyne Ellen, res Clinton House  
 Boyne William, clerk Clinton House, res do  
**BOYNTON FRANK D**, superintendent of schools High School bldg N Cayuga cor E Seneca, h 112 Parker  
**BOYNTON GEORGE M**, pres Baron Steuben, treas Tompkins County Co-operative Fire Ins Cos 311-317 E State, h 517 N Cayuga  
 Boynton William H, asst C U, bds 208 Farm  
 Bozsnjak Terez Mrs, h 1008 W State  
 Bradford Eugene B, apprentice 125 W State, res 302 Elm  
 Bradford William S, janitor, h 302 Elm  
 Bradley Helen E, waitress Cascadilla pl, rooms 220 do  
 Bradshaw Bert, gun polisher, bds Cataract Hotel  
**BRADY JOHN F**, (Fahey & Brady) 154 E State, rooms 431 W State  
 Brady Margaret Mrs, domestic, h 321 E State  
 Bramble Oren M, bookkeeper 121 S Tioga, h 210 Hudson  
 Branigan Michael J, laborer, h 608 Cascadilla  
 Brannan see Brennan  
 Brashear Charles S, barber 225 E State, res 207 Pleasant  
 Brashear Harry C, plumber, res 207 Pleasant

**E. G. SNOW,** SPECIAL HAND-MADE FURNITURE, 109 S. Titus Ave.

**Leary Coal Co.** SELLS THE CELEBRATED SCRANTON (D. L. & W.) COAL. ALSO HARD AND SOFT WOOD. OFFICE AND YARD 628-630 WEST SENECA ST.

If you are thinking of buying Life Insurance see **Stevens & Morgan,** Gen'l Agts. Home Life Ins. Co., 220 East State Street.

68

ITHACA CITY DIRECTORY

Brashear Howard R, student, res 207 Pleasant  
Brashear Mabelle A, clerk 134 E State, res 207 Pleasant  
Brashear William G, tinner, h 207 Pleasant [Tompkins  
Brassell Catherine B, bookkeeper 210 E Seneca, res 107 W  
Brassell John, h 107 W Tompkins  
Brauner Olaf M, prof C U, h 88 Wait ave, Cornell Heights  
Bray Clarence, cigarmaker, bds Exchange Hotel  
Breakey Abbie A Mrs, h 416 N Albany  
Breakey Elizabeth, h 315 N Tioga  
Breakey William, h 315 N Tioga [do  
Breck Bessie (Mrs Horace), music teacher 416 N Geneva, res  
Breck Horace H, clerk, h 416 N Geneva  
Breen Anna M, student, bds 104 Maple ave  
Breen Timothy, laborer, bds 311 S Corn  
Bregey Gaspar, h 116 Cook  
Breitenbecker Armenia B, clerk 141 E State, res 410 E Yates  
Breitenbecker Louis, meat cutter 106 E State, h 410 E Yates  
Brennan Arthur J, painter, res 115 Fifth  
Brennan Elizabeth, student, res 115 Fifth

**Building Supplies, DRISCOLL BROS. & CO.**

Brennan Elizabeth Mrs, h 115 Fifth  
Brennan Mary, dressmaker 210 Eddy, bds do  
Brennan see Brannan  
Brenner George F, laborer, h 310 Fourth  
Brewer Abram H, shoemaker, h 315 W Mill  
Brewer Ada M, milliner 122 E State, bds 406 Center  
Brewer Augusta, waitress Clinton House  
Brewer Carl W, printer 317 E State, h 213 Prospect  
Brewer Charles A, clerk 123 S Cayuga, h 105 N Aurora  
Brewer Eva M, milliner 139 E State, res 315 W Mill  
Brewer Fred J, student, res 430 N Geneva  
Brewer Josephine, widow Edgar, h 312 E Railroad ave  
Brewer, Lilly A, widow William J, laundress, h 406 Center  
Brewer Lucelia R (Mrs Walter S), h 411 W Seneca  
Brewer Nettie L, student, res 430 N Geneva  
Brewer Saddy M, milliner, res 406 Center  
Brewer William E, carpenter, h 430 N Geneva  
Brewer William H, shoemaker 112 N Aurora, h 805 N Tioga  
Brewster Clara L, widow Robert E, res 37 West ave, Cornell Heights  
Bride Mary F, bookkeeper 123 N Aurora, res 103 Highland pl  
Brigden Samuel A, teamster, h 209 N Plain

**W. L. Jenks,** CARPENTER and BUILDER 306 W. Seneca St.

The Germania Fire Insurance Company  
Has withstood all the BIG Conflagrations.  
Arthur G. Adams, Agent,  
4 Bates Block,  
Ithaca, N. Y.

You get the best, using Ithaca Telephone. \$1.25 per month.

# H. J. BOOL CO., 130 E. State St., Parlor Goods and Upholstery

- Briggs Edith A, clerk 109 S Cayuga, bds 215 Willow ave
- Briggs Gordon F, tel opr East Ithaca station, bds 151 Maple ave
- Brillhart Rylan G, conductor L V R R, h 325 W Seneca
- Brink Archie, laborer, h 907 W Green
- Brink Clara A, widow Daniel H, h 413 N Geneva
- Brink George, teamster, bds Conley Hotel
- Brink Harry M, laborer, bds 610 Cascadilla
- Brink Nina, waitress Clinton House, rooms 416 W Buffalo
- Brinsmaid Eugene B, driver, h 502 S Meadow
- Brinsmaid Hiram, res 502 S Meadow
- Brinsmaid R D, teamster, h 410 Hudson
- Brissette Clara, res 218 Lake ave
- Brissette George, musician, h 218 Lake ave
- Brissette Harry, student, res 218 Lake ave
- Bristol Arthur E, laborer, res 228 Pleasant
- Bristol Eugene M, engineer pump station, h 228 Pleasant
- Bristol Frances H, widow George H, res 405 S Albany
- Bristol Frank L, driver 115 N Aurora, h 822 do
- Bristol Fred L, laborer, res 228 Pleasant

Losses and Claims Promptly Paid.

## L. E. Patterson, Insurance of All Kinds.

- Bristol George P, prof C U, h 5 Grove pl
- Brizee Adolphus, cook, res 315 Falls
- Brock Edward I, wood worker, h 426 S Geneva
- BROCK FRANK T**, lumber yard, planing mill, custom grinding and feed mill, feed for sale 309-313 S Cayuga, res 303 do [Pleasant
- Brock Herbert O, carriage painter 317-319 E Seneca, h 328
- Brock John T, res 429 S Geneva
- Brock May J, res 426 S Geneva
- Brock Morris L, chauffeur, res 426 S Geneva
- Brodie Margaret, boarding 106 McClune terrace
- Broich Jacob B, clerk 155 E State, h 305 W Seneca
- Brokaw Clarence E, clerk 117 E State, h 208 Fayette
- Brokaw Isaac M, clerk 126 S Cayuga, h 610 W Green
- Brokaw John E, meat cutter 128 S Cayuga, h 321 N Plain
- Brokaw Lula A, student, res 610 W Green
- Brokaw Mary E, widow John C, housekeeper, 110 E Mill
- Brokaw Susie D, res 321 N Plain
- Brokaw Theodore G, molder 217 S Cayuga, h 509 W Green
- Brokaw William I, painter, res 610 W Green
- Bronko Michael, laborer, h 306 Brindley
- Brooker Mary E, student, res 526 N Albany

Choice Limburger, Sweitzer and Full Cream Cheese at

*Isaac LaBarr's*

501 NORTH TIOGA ST.

Second-Hand Furniture, Stoves, Clothes, Shoes and Books Bought and Sold by ISAAC COAN  
623-625 WEST STATE STREET, BOTH PHONES.

High Grade Plumbing Work done by P. M. DONOHUE, 207 N. Aurora St.

**The Peirce Coal Co.,** Coal and Wood. Lessees of D. L. & W. R. R. Co.'s Retail Yard. 702 West State and 213 East State Sts.

70

ITHACA CITY DIRECTORY

Brookins Anna L, compositor 117 S Tioga, res 214 Utica  
 Brookins Fred, wire chief 121 W State, h 103 Eddy  
 Brookins Zilpha A, widow George W, h 214 Utica [State  
**BROOKS A B & SON,** (A B and J G) pharmacists 128 E  
 Brooks Abbie, res 202 N Cayuga  
 Brooks Abigail C, widow Frederick, res 309 N Aurora  
 Brooks Alfred C, architect, res 309 N Aurora  
 Brooks Alice W, res 202 N Cayuga [h 309 N Aurora  
**BROOKS ARTHUR B,** (A B Brooks & Son) 128 E State,  
 Brooks Charles A, instructor C U, rooms 45 East ave  
 Brooks Charles H, clerk, res 408 E Railroad ave  
**BROOKS CHARLES H,** jeweler 152 E State, h 311 W Buffalo  
 Brooks Charles H, mason, h 213 W Railroad ave  
 Brooks Effie D, h 516 Stewart ave  
 Brooks Frederick W, h 202 N Cayuga [Seneca  
 Brooks Frederick W 2nd, watchmaker 152 E State, h 111 E  
 Brooks Jennie, res 213 W Railroad ave  
 Brooks John C, waiter 6 South ave W Seneca  
**BROOKS JOHN G,** (A B Brooks & Son) 128 E State, h 313

SAVE DISAPPOINTMENT BY SECURING YOUR

**Fire Insurance**

OF E. S. PRESTON OSBORN BLOCK

Brooks John S, lineman, h 114 Sears  
 Brooks Margaret, res 516 Stewart ave  
 Brooks Maria M, widow Amos D, res 314 W Green  
 Brooks Mary E, sec Sage College, bds do  
**BROOKS OLIVER B,** dry goods and groceries 435 N Cayuga, h 104 Lake ave  
 Brooks Osmer J, box maker, h 408 E Railroad ave  
 Brooks Robert B, clerk 117 E State, h 125 Spencer pl  
 Brooks Roseltha, res 516 Stewart ave  
 Brooks William H, master mechanic, h 219 W Railroad ave  
 Brosnan Anna, maid 114 S Albany  
 Brosnan Julia T, maid 201 Stewart ave  
 Brosnan Nora, maid 119 E Buffalo  
 Brost Joseph, h 108 Ferris pl  
 Brotherton Elliott S, painter, rooms 110 N Cayuga  
 Broughton Leslie N, teacher Cascadilla School, res 325 S Geneva  
 Brower Abram B, res 415 Cascadilla  
 Brower Harry, plumber, res 407 N Albany  
 Brower Inez A, opr 111 E State, rooms 407 S Aurora  
 Brower William H, laborer, h 412 N Plain  
 Brower William M, plumber, h 407 S Aurora

**THE ITHACA FUEL SUPPLY CO.** have the most down to date Plant, making it easy to Please and Satisfy Customers.

Houses FOR RENT Georgia & Southworth, 156 E. State St.

**BROWN ADRIAN E.** (Forest City Fish Co) 126 Farm and 711 W State, painter and paper hanger 1203 N Cayuga, h do

Brown Ai J, h 313 E Mill

Brown Aileen, res 319 E Mill

Brown Albert, gunsmith, h 105 E Marshall

Brown Albert B, gardener, h 937 E State

Brown Albert G, paper maker, h 717 N Tioga

Brown Albert H, cooper, h 206 S Meadow

Brown Alfred T, h 129 Linn

Brown Almira L, widow Isaiah, h 319 E Mill

Brown Ann, widow John C, h 133 Linden Ave

Brown Anna, cook 114 E Seneca

Brown Anna, maid 315 W State

Brown Anna S, bookkeeper 155 E State, res 419 W State

Brown Arthur S, cook, h 114 E Railroad ave

Brown Belle Mrs, maid 108 N Geneva

Brown Cary H, mailing clerk post office, h 1305 N Cayuga

Brown Charles, clerk 149 E State, h 419 W State

**Tompkins County Co-Operative Fire Insurance Co.,** <sup>Osborn</sup> <sub>Block</sub>

Brown Charles A, h 318 E Seneca

Brown Charles A, paper maker, bds 112 Falls

Brown Charles G, publisher Holstein-Friesian World 130 Linden ave, h do

Brown Charles W, res 215 N Plain

**BROWN COLLINGWOOD B.** jeweler 200 E State cor Tioga, h 114 N Titus ave

Brown Delia, maid 7 East ave

Brown Dora M, widow Norman D, h 416 N Albany

Brown Douglas R, student, bds 112 Falls

Brown Earl M, laborer, res 120 S Cayuga

Brown Edward, laborer, bds 411 Linn

Brown Edward, laborer, bds 620 W Mill

Brown Edward J, laborer, bds Cayuga House

**BROWN EDWARD R.** sec Forest City Plumbing Co 213 E Seneca, h 409 N Albany

Brown Eliza M, widow William J, res 1023 N Cayuga

Brown Elizabeth E, widow Orson C, res 208 Lake ave [uga

Brown Elizabeth W, bookkeeper 111 E State, res 1305 N Cay-

**BROWN ELLA M.** (A R Sawyer & Co) 139-141 E State, h 703 N Cayuga

Brown Ellis L, carpenter, h 225 S Albany

INDIAN  
Motor Cycles.

*Cummings & Martin,*

105 EAST  
GREEN ST.

Magazines, Pamphlets, etc., **F. George Reed.**  
Bound in the Latest Styles.

All Jewelry and Optical Work Guaranteed. **W. T. Kellogg,** 522 WEST STATE ST.



Sidewalks, Cellar Bottoms and Foundations. **J. L. ROHRER,** ITHACA PHONE 431-Y. ALL WORK GUARANTEED.

- Brown Emeline A, widow John E, h 133 W State
- Brown Emerson G, restaurant 420 Stewart ave, billiards 402 do, h 410 Linn
- Brown Emma C, clerk 155 E State, res 419 W State
- Brown Ernest, h 124 Cleveland ave
- Brown Eugene A, meat cutter 437 W State, h 633 W Green
- Brown Florence M, res 201 Falls
- Brown Frank, engineer, rooms 440 N Titus ave
- Brown Frank, waiter 125 Edgemore lane
- Brown Frank A, rooms 325 W Seneca
- BROWN FRANK E**, mgr Standard Oil Co 114-116 S Fulton, h 756 S Aurora
- Brown Fred C, gunsmith, h 903 N Cayuga
- Brown Fred D, clerk 151 E State, res 201 Falls
- Brown Fred S, carpenter, h 215 Giles
- Brown Freda, clerk 133 E State, res 120 S Cayuga
- Brown George W, engineer, h 215 N Plain
- Brown Grover C, student, res 130 Linden ave
- Brown Harry, waiter The Ithaca Hotel, rooms 521 W Green

**CABINET WORK, - DRISCOLL BROS. & CO.**

- Brown Hazel W, res 706 N Tioga
- Brown Helen R, widow Wesley P, h 840 N Aurora
- Brown Henry J, clerk 825 N Aurora, h 201 Falls
- Brown Ira S, student, res 130 Linden ave
- Brown Irvin A, box maker, h 427 W State
- Brown Isabella Mrs, maid 108 N Geneva
- Brown J Francis, baker 111 W State, res 416 N Albany
- BROWN J WATSON**, physician and surgeon 331 W Seneca, h do; office hours 7 to 9 a m, 12 to 3 and 7 to 8 p m
- Brown J William, chauffeur, h 220 S Meadow
- Brown James H, oil peddler, h 1010 E State
- Brown Jesse E, plumber, res 215 N Plain
- Brown John, laborer, h 305 E Railroad ave
- Brown John, laborer, h 508 W Clinton
- Brown John E, clockmaker, h 817 N Cayuga
- Brown John F. teamster, h 508 W Clinton
- Brown John J, boatman, h 306 S Meadow
- Brown Joseph, gunsmith, h 411 E Railroad ave
- Brown Josephine, laundress, rooms 310 S Cayuga
- Brown Leslie A, clerk, res 129 Linn
- BROWN LLEWELLYN H**, sec and treas Davis-Brown Electric Co 115 S Cayuga, h 201 Pleasant

**Kohm & Brunne, MERCHANT TAILORS.** Successors to B. F. McCORMICK.

THE COMMERCIAL UNION FIRE ASSURANCE CO. Insures Against Loss by Fire, Lightning, Tornadoes and Wind Storms. ARTHUR G. ADAMS, Agent, 4 Bates Block, Ithaca, N. Y.

**H. J. BOOL GO., Furniture Makers, Factory at Forest Home**

- Brown Lottie A, widow Fred W, stripper 101 Hudson, h 120 S Cayuga
- Brown Maletia, maid 310 E Buffalo
- Brown Margaret, maid 440 E Buffalo
- Brown Marinda, widow Benjamin F, res 215 Giles
- Brown Mary, maid 7 East ave
- Brown Mary Mrs, rooms 221 Cornell
- Brown Mary A, res 325 S Geneva
- Brown Mary A, widow Christopher J, h 324 S Geneva
- Brown Mary E, widow Edward, h 108 W State
- Brown Minnie A Mrs, clerk 155 E State, res 212 N Meadow
- Brown Minos, grocer 817 N Cayuga, h 819 do
- Brown Minos jr, laborer, h 813 N Cayuga
- Brown Nancy A, widow Marvin R, res 101 Maple
- Brown Nellie, maid 319 W State
- Brown Netta A, res 427 W State
- Brown Nettie (Mrs Archie), res 118 Auburn
- Brown Orpha Mrs, bds 110 Cleveland ave
- Brown Orpha B, stenographer, res 130 Linden ave

FIRE, RENT, ACCIDENT and PLATE GLASS INSURANCE **L. E. PATTERSON,** 115 E. State Street.

- Brown Otis L, engineer, res 306 S Meadow
- Brown Rhoda A, res 307 College ave
- Brown Robert C, porter The Ithaca Hotel, rooms 204 Fourth
- Brown Roscoe D, photographer 45 East ave, h 305 E Marshall
- Brown Roy, clock finisher, bds 216 Second
- Brown Seth, h 521 W State
- Brown Sophy A, clerk 133 E State, res 408 E Yates
- Brown Susan H, widow Theodore M, res 706 N Tioga
- Brown Theodore, bds 328 Pleasant
- Brown Thomas C, carpenter, h 109 Auburn
- BROWN WALLACE E REV,** pastor First M E Church, h 406 N Aurora
- Brown Walter E, driver, res 416 N Albany
- Brown William, laborer, bds Conley Hotel
- Brown William, sign worker, bds 521 S Meadow
- BROWN WILLIAM E,** sales agent Lehigh Valley Coal Co 300 E State, h 135 Hudson
- Brown William G, driver, h 106 N Meadow
- Brown William H, agent, h 203 Prospect
- Brown William H, carpenter, h 204 E Railroad ave
- Brown William H, janitor, h 1131 Giles
- Brown William J, foreman Daily News, h 706 N Tioga

CONCRETE BRICKS, SILLS, LINTELS, WATER TABLES, DRAIN TILING, ETC.  
The O. F. Bovier Concrete Works, 538-540 W. State St. Telephone.

**For Best Prices** on Old Metals, Old Rubber, Old Rope, Woolen Rags, Cotton Rags, Paper Stock, Old Bottles, etc., write **Isaac Coan** 623 W. State St., Ithaca, N. Y. Both Phones.

Special Attention given to Plumbing Repairs at P. M. DONOHUE'S, 207 N. Aurora St.

## Decorative Plants at the Bool Floral Co., 215 E. State St.

74

ITHACA CITY DIRECTORY

- Brown William M, lineman 121 W State, h 502 N Albany  
Browne Arthur W, prof C U, h 957 E State  
**BROWNE WILLIAM**, treas Ithaca Contracting Co 417 S Plain, h 106 Cleveland ave  
Brownell George W, motorman, h 203 Falls  
Bruce Bradford M, clerk 151 E State, bds 142 S Aurora  
Bruce John W, stationary engineer, bds 421 S Geneva  
**BRUNNE GUSTAF L**, (Kohm & Brunne) 222 E State, h 311 S Tioga  
Brünner Almira A, widow Louis F, h 112 Dey  
Brünner Lena L, compositor 317 E State, res 112 Dey  
Brusie Cressa, opr 111 E State, res 706 N Cayuga  
Brusie Grant, gunsmith, h 706 N Cayuga  
Bruster George M, machinist, bds 222 Spencer  
Bryan Eva M, teacher High School, rooms 130 E Mill  
**BRYAN WILLIAM H**, propr The Charles A Seaman livery 114-116 W State, h 322 S Geneva (See adv in letter S)  
Bryan William J, res 322 S Geneva  
Bryant Alice R, widow Frederick H, h 502½ University ave

**The Peirce Coal Co.**, Coal and Wood. Lessees of D. L. & W. R. R. Co.'s Retail Yard. 702 West State and 213 East State Sts.

- Bryant Hattie, res 309 Mitchell  
Bryant Laura, supervisor music city schools, rooms 118 E Mill  
Bryant Marie L, h 309 Mitchell  
Bryant Sarah E, stenographer 800 W Buffalo, bds 615 N Aurora  
Bryant Smith, h 946 E State  
Bryant Winifred M, res 946 E State [Place  
Buchanan Catherine, widow Charles, domestic Sandy Patten  
Buchanan Minnie, waitress 900 W Buffalo  
Buck Edward C, teamster, h 712 N Aurora  
**BUCK EDWARD H**, chief of police City Hall, h 101 Giles  
Buck Eli, cigar maker, bds 408 E Yates  
Buck Frank D, electrical engineer, res 712 N Aurora  
Buck Frank W, bds 712 N Aurora  
Buck George E, h 223 S Geneva  
Buck Gertrude, teleph opr 111 E State, res 223 S Geneva  
Buck Glenn L, student, res 712 N Aurora  
Buck Hubbard W, painter, h 212 S Plain  
Buck Laura H, ass't chief opr 111 E State, res 223 S Geneva  
Buck Lavina, widow Edward, res 223 S Geneva  
Buck Minnie (Mrs E H), clerk 139 E State, res 101 Giles  
Buck Roscoe W, driver, h 205 Linn [Linn  
Buck Sarah B (Mrs R W), bookkeeper 117 E State, res 205

**THE ITHACA FUEL SUPPLY CO.**

ARE BEST EQUIPPED TO FURNISH THE BEST OF ANY KIND OF FUEL

We Collect Rents and Look After Property. **Georgia & Southworth,** 156 East State Street

Buckbee Charles B, clerk, h r 414 E Railroad ave  
 Buckbee Edward C, painter, h 616 N Tioga  
 Buckford James, laborer, bds 418 Esty  
 Buckford Joseph, laborer, bds 418 Esty  
 Buckley Emma R Mrs, matron Sage College  
 Bucklin Edgar H, lumber, h 205 W Green  
 Bucklin Esther H, res 205 W Green  
 Bucklin Lucy H, res 205 W Green  
 Bucklin Waldo F H, res 205 W Green  
 Bugsbee Charles, night clerk Tompkins House, bds do  
 Bulkley Chestina M, widow Rosalvo A, h 425 N Aurora  
 Bulkley J Marion, clerk 136 E State, res 425 N Aurora  
 Bull Catherine, teacher violin Ithaca Conservatory of Music,  
 res 320 N Aurora  
 Bull Sarah J, widow Ambrose S, h 316 Park pl  
 Bullard Carl, carpenter, h 221 Cornell  
 Bullard William P, driver, h 831 N Aurora  
 Bump Elizabeth, teacher, bds 315 Dryden road  
 Bump Emma L, rooms 315 Dryden road

---

**Tompkins County Co-Operative Fire Insurance Co.,** **Osborn Block.**


---

Bundy Charles, h 122 Farm  
 Bundy Charles H, carpenter, h 206 E Lewis  
 Bundy Clark W, clerk 634 W Seneca, res 109 N Geneva  
 Bundy Stella Mrs, bds 421 W Seneca  
 Bundy Theodore, res 122 Farm  
 Bundy Warren W, carpenter, h 109 N Geneva  
 Bunn Chester, laborer, bds 412 N Geneva  
 Burch Edward, driver, h 605 Cascadilla  
 Burch Frances E, widow Ezra, h 275 Humboldt  
 Burch Frederick, engineer L V R R, h 265 Humboldt  
 Burch Julia E, res 275 Humboldt  
 Burchfield Helen W, widow Robert L, res 826 N Aurora  
 Burchfield Herbert W, laborer, h 113 W State  
 Burd Frank D, driver, h 613 W Green  
 Burd Mary M, widow William C, res 613 W Green  
 Burd see Bird  
**BURDICK D WAITE,** (White & Burdick Co) 116 E State,  
 h 403 E Buffalo  
 Burdick Isabella A, widow Welcome S, h 125 Prospect  
 Burger Charles R, 31 Savings Bank bldg, res 416 W Seneca  
 Burger Cora E, seamstress 155 E State, h 416 W Seneca  
 Burgess Agnes S, nurse, res 701 N Cayuga

---

**Special Hand-Made Furniture,** **E. G. SNOW**  
 109 S. TITUS AVE.

**Buy the Celebrated Scranton Coal of Leary Coal Co.** **DRY and WELL SCREENED.** **Satisfaction Guaranteed.**

**Home Life Ins. Co.** Guarantees to Pay Dividends Annually, or you may Leave them to accumulate. STEVENS & MORGAN, Gen'l Agts.

76

**ITHACA CITY DIRECTORY**

Burgess Alice U, nurse Ithaca City Hospital  
Burgess Bessie, maid 202 Stewart ave  
Burgess Burton J, gun worker, h 522 Linn  
Burgess Charles H, gun worker, bds 317½ Utica  
Burgess Hannah, widow Franklin, res 114 Cascadilla  
Burgess James R, res 107 Linn  
Burgess Karl F, painter, h 101 Maple  
Burgess Mary M (Mrs W S), boarding 107 Linn  
Burgess Nellie, cook 202 Stewart ave  
Burgess William S, h 107 Linn  
Burgess William S jr, driver, res 107 Linn  
Burghardt Fred M, laborer, h 439 W State  
Burhannan Christopher C, servant 217 W State, rooms do  
Burke Clinton B, instructor C U, h 118 Utica  
Burke Harry, meat cutter 222 N Aurora, bds Tompkins House  
Burke Helen M, widow LeRoy, h 522 S Albany  
Burke Mary, cook 113 N Geneva  
Birkless George H, laborer, h 253 Humboldt  
Birkless James, chair caner, h 202 Humboldt

**Sewer and Culvert Pipe, Driscoll Bros. & Co.**

Burlew George L, h 224 Spencer  
Burlew Minnie, widow Charles, h 601 W State  
Burlew Stephen S, ins agt, res 601 W State  
Burling Ada F (Mrs F E), clerk 139 E State, h 601 Willow ave  
Burling Charles, meat cutter, res 802 N Tioga  
Burling Clarence B, jeweler 200 E State, res 807 n Cayuga  
Burling David, h 807 N Cayuga  
Burling Fred E, meat cutter, h 802 N Tioga  
Burling Ida M, nurse 116 E State, res 117 S Plain  
Burling Minnie D, bookkeeper 102 E State, res 807 N Cayuga  
Burnett Belle Mrs, h 609 W Seneca  
Burnett Leon, res 609 W Seneca  
Burnett Samuel H, prof C U, res 410 University ave  
Burns Agnes, stenographer Morse Chain Co, rooms 304 N Titus ave  
Burns Anna, clerk 155 E State, bds 612 N Aurora  
Burns Bros, (John and William) blacksmiths 306-308 E State  
Burns Catherine A, res 404 W Green  
Burns Clarence T, clerk 132 E State, res 508 W Seneca  
Burns Elizabeth M, nurse 508 W Seneca, res do  
Burns Frank A, bookkeeper 618 W State, res 508 W Seneca  
Burns Frank P, tool maker, h 312 S Tioga

**W. L. JENKS** Will give Prompt Attention to All Orders.  
306 WEST SENECA ST.

FIRE INSURANCE PROTECTS  
YOUR HOME AND PROPERTY.

**ARTHUR G. ADAMS, Agent.**

Successor to A. B. WOOD.

RELIABLE COMPANIES.  
PROMPT PAYMENTS.